

# Thunder P8 IP

## User Manual



**Guangzhou Mitek Light Co.,LTD**

Email: [info@miteklight.com](mailto:info@miteklight.com)

Website: [www.miteklight.com](http://www.miteklight.com)

Add: No. 21 Dongfeng Avenue, Automobile Industry Base, Huadu District, Guangzhou

# TECHNICAL PARAMETERS

## Light source

Input voltage: AC100-240V, 50/60Hz

Rated power: 400W

Light source: 8\*50W RGBW LED

LED life: 50,000-100,000 hours

## Optical

Lens angle: 25°

## Controls

Channel:5/8/20/32 channels

Control: international standard DMX512

Display: OLED function menu with 4 buttons

## Effect

Strobe: 0-20Hz

## Construction

Heat dissipation: intelligent temperature control, active

Maximum ambient temperature 40°C

Minimum ambient temperature -20°C

Maximum case temperature 65°C

Power connection IP65 Seetronic power connectors input/output

Data connection IP65 Seetronic DMX connectors input/output

Waterproof rating: IP65

## Weight&Dimension

Net weight: 7.5kg

## Features

4 dimming curves, high standard linear dimming

Exquisite die-cast aluminum housing, IP65 protection level, suitable for outdoor performances

Silent operation, no flicker output

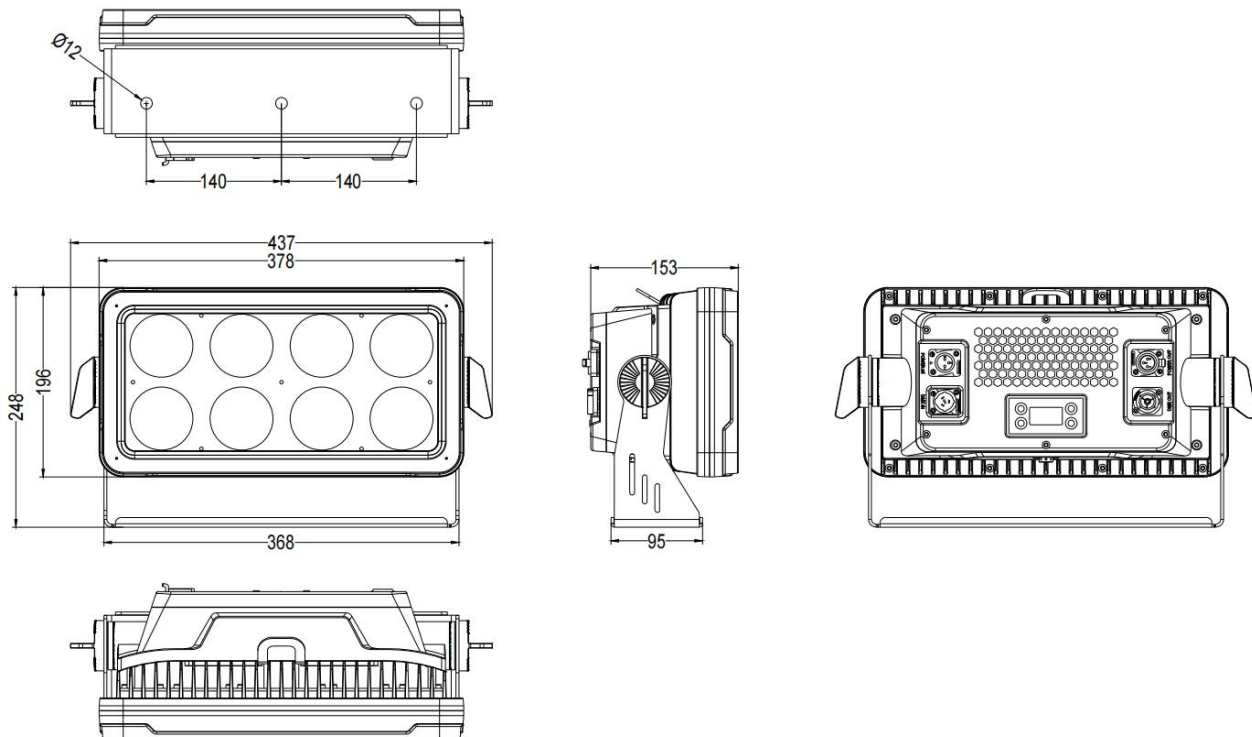
Unique structure design, excellent natural heat dissipation effect

Double hanger design, convenient for air suspension and ground placement

DMX control, RDM intelligent control.

Features and advantages: Adopt waterproof sealing design, high color purity, special optical design, more uniform light effect, waterproof grade IP65. Suitable for various indoor and outdoor performances, environmental art lighting, outdoor lighting and other dyeing and lighting effects.

## SIZE DRAWING



### Safety Warning

#### IMPORTANT:

**ALWAYS READ THE USER MANUAL BEFORE OPERATION. PLEASE CONFIRM THAT THE POWER SUPPLY STATED ON THE PRODUCT IS THE SAME AS THE MAINS POWER SUPPLY IN YOUR AREA.**

- This product must be installed by a qualified professional.
- Always operate the equipment as described in the user manual.
- A minimum distance of 0.5m must be maintained between the equipment and combustible surface.
- The product must always be placed in a well ventilated area.
- Always make sure that the equipment is installed securely.
- DO NOT stand close to the equipment and stare directly into the LED light source.
- Always disconnect the power supply before attempting and maintenance.
- Always make sure that the supporting structure is solid and can support the combined weight of the products.
- The earth wire must always be connected to the ground.
- Do not touch the power cables if your hands are wet.

#### ATTENTION:

- This product left the place of manufacture in perfect condition. In order to maintain this condition and for safe operation, the user must always follow the instructions and safety warnings described in this user manual.
- Avoid shaking or strong impacts to any part of the equipment.
- Make sure that all parts of the equipment are kept clean and free of dust.
- Always make sure that the power connections are connected correct and secure.
- If there is any malfunction of the equipment, contact your distributor immediately.

- When transferring the product, it is advisable to use the original packaging in which the product left the factory.
- Shields, lenses or ultraviolet screens shall be changed if they have become damaged to such an extent that their effectiveness is impaired.
- The lamp (LED) shall be changed if it has become damaged or thermally deformed.

## INSTALLATION

### 2.1 Mounting:

#### 2.1-1 Hanging

The product can be mounted in a hanging position using the supporting bracket. The bracket should be secured to the mounting truss or structure using a standard mounting clamp. Please note that when hanging the unit a safety cable should also be used

#### 2.1-2 Upright

The product can be mounted in an upright or sitting position using the supporting brackets.

#### NOTE:

The product can be mounted at any angle and in any position. It is possible to further adjust the angle of the product using the two adjustment knobs located on the side of the fixture.

### 2.2 Special construction for DMX connection.

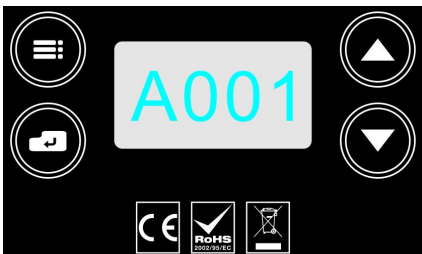
- ☆ At last fixture, the DMX cable has to be terminated with a terminator to reduce signal errors. Solder a 120-ohm 1/4W resistor between pin 2(DMX-) and pin 3(DMX+) into a 3-pin XLR-plug and plug it in the DMX-output of the last fixture.
- ☆ If the controller is 5-pin output, it's necessary to use an adaptor to transfer signal from 5-pin output to 3-pin XLR-plug or you can connect cables as following:

3-PIN TO 5-PIN CONVERSION CHART

| Conductor       | 3 Pin Female (Output) | 5 Pin Male (Input) |
|-----------------|-----------------------|--------------------|
| Ground/Shield   | Pin 1                 | Pin 1              |
| Data (-) signal | Pin 2                 | Pin 2              |
| Data (+) signal | Pin 3                 | Pin 3              |
| Not used        |                       | Pin 4              |
| Not used        |                       | Pin 5              |

## Display Panel Operation

### OLED Display panel menu instruction



[MENU] menu selection or return to previous menu.

[UP] press [UP] through the menu list to increase/change the value of the current function.

[DOWN] press [DOWN] through the menu list to decrease/change the value of the current function.

[ENTER] confirm & quit out current function setting.

## Display panel operation instruction

| Main menu | Sub-Menu1   | Sub-Menu2 | Sub-Menu3 | Description   |
|-----------|-------------|-----------|-----------|---|
| DMX Mode  | Address     | 001       |           | 001-512   |
|           | Channel     | 08CH      |           | The channel mode can be any of the following :<br>05/08/20/32   |
| Auto      | Dimmer      | 000-255   |           | Dimmer:000-255,Control the brightness of automatic operation<br>effect: 00-51<br>effect 00: Do not execute effects<br>effect 01: RGBW Monochrome jump<br>effect 02: Grad<br>effect 03: Pulse<br>effect 04: Jump<br>effect 05: Effect polling<br>effect 06-51: Various effects<br>speed: 000-100<br>color: 00-09<br>color 00: Color polling (color effects will be displayed during pattern polling)<br>color 01: Red<br>color 02: Green<br>color 03: Blue<br>color 04: White<br>color 05: Red & Green combination<br>color 06: Red & Blue combination<br>color 07: Green & Blue combination<br>Color08:Red & Green & Blue combination<br>color 09: Red & Green & Blue & White combination |
|           | effect      | 00-51     |           |   |
|           | speed       | 001-100   |           |   |
|           | color       | 01-09     |           |   |
| Manual    | Dimmer      | 000-255   |           | Dimmer: 000-255,Control the brightness of manual dimming<br>Red: 000-255<br>Green: 000-255<br>Blue: 000-255<br>White: 000-255   |
|           | Red         | 000-255   |           |   |
|           | Green       | 000-255   |           |   |
|           | Blue        | 000-255   |           |   |
|           | White       | 000-255   |           |   |
| Voice     | Dimmer      | 000-255   |           | Dimmer: 000-255, Control the brightness of voice control<br>mic: 00-05<br>mic 00: Do not execute voice control effect<br>mic 01-04: Various voice control effects<br>mic 05: Voice controlled effects polling<br>sensi: 000-100   |
|           | mic         | 00-05     |           |   |
|           | sensi       | 000-100   |           |   |
| Setting   | Language    | Chinese   |           | 中文: The screen display language is Chinese<br>English: The screen display language is English   |
|           |             | English   |           |   |
|           | MOSI switch | Shut down |           | Shut down: Do not send host data to slave<br>Turn on: Send host data to slave   |
|           |             | Turn on   |           |   |

|              |             |  |  |
|--------------|-------------|--|--|
| Screensaver  | Shut down   |  | Shut down: Do not enter the screensaver<br>Turn on: Enter screensaver in 30 seconds  |
|              | Turn on     |  |  |
| Signal state | Clear       |  | In DMX mode, the data status of the LED after signal interruption.<br>Clear: The data will be cleared later<br>Hold: Data hold   |
|              | Hold        |  |  |
| Light order  | Positive    |  | Positive: The direction of running and dimming of the lamp bead is positive<br>Reverse: The direction of running and dimming of the LED beads is reversed  |
|              | Reverse     |  |  |
| Dim bit      | 8bit        |  | The process of changes in LED bead data.<br>8bit: Direct switching of LED data<br>16bit: Smooth conversion of LED bead data  |
|              | 16bit       |  |  |
| Dim speed    | 000-255     |  | 000-255<br>The larger the value, the slower the light changes, which only applies to the normal dimming of the console (if the channel mode itself has a dimming speed, the dimming speed channel is used as a guide)  |
| Dim curve    | Linear      |  | Power curve of console's ordinary dimming<br>Linear: Linear power curve<br>Square: Square power curve<br>Anti-square: Anti-square power curve<br>S-line: S-line power curve  |
|              | Square      |  |  |
|              | Anti-square |  |  |
|              | S-line      |  |  |
| Dim freq     |             |  | 4kHz/8kHz/12kHz/ <b>16kHz</b> /20kHz/24kHz/32kHz   |
| Fan mode     | Controlled  |  | Controlled: If the temperature control resistor is not connected, the fan will rotate when the LED lights up. After connecting the temperature control resistor, when the temperature exceeds 44 °C, the fan rotates; When the temperature drops below 40 °C, the fan stops<br>Continue: The fan rotates unconditionally |
|              | Continue    |  |  |

|           |                        |           |  |  |
|-----------|------------------------|-----------|--|--|
|           | Screenlock             | Shut down |  | Shut down: Not locked during screensaver<br>Turn on: Lock during screensaver operation                                     |
|           |                        | Turn on   |  |  |
|           | Screenflip             | Shut down |  | Shut down: Normal display<br>Turn on: The screen flips and the buttons also flip   |
|           |                        | Turn on   |  |  |
|           | Restore                | Shut down |  | Shut down: Do not restore to factory<br>Turn on: Factory reset, without restoring backend parameters and language settings |
|           |                        | Turn on   |  |  |
| Lamp Info | Use time<br>00: 00     |           |  | Display the current information of the lighting fixture  |
|           | Current temp<br>00°C   |           |  |  |
|           | Max temp<br>00°C       |           |  |  |
|           | Fan state<br>Stop      |           |  |  |
|           | Run<br>VER<br>250827BY |           |  |  |

## DMX Channel instruction

### 5 Channels Mode

| Channel | Function | DMX Value | Description          |
|---------|----------|-----------|----------------------|
| 1       | Dimmer   | 0-255     | Dimmer,0-100%        |
| 2       | Red      | 0-255     | Red dimming,0-100%   |
| 3       | Green    | 0-255     | Green dimming,0-100% |
| 4       | Blue     | 0-255     | Blue dimming,0-100%  |
| 5       | White    | 0-255     | White dimming,0-100% |

### 8 Channels Mode

| Channel | Function  | DMX Value | Description              |
|---------|-----------|-----------|--------------------------|
| 1       | Dimmer    | 0-255     | Dimmer,0-100%            |
| 2       | Red       | 0-255     | Red dimming,0-100%       |
| 3       | Green     | 0-255     | Green dimming,0-100%     |
| 4       | Blue      | 0-255     | Blue dimming,0-100%      |
| 5       | White     | 0-255     | White dimming,0-100%     |
| 6       | Strobe    | 0-5       | No function              |
|         |           | 6-255     | Strobe from slow to fast |
| 7       | Auto Mode | 0-5       | empty                    |
|         |           | 6-210     | Optional color patterns  |

2-5 channels need to be pushed up for assistance, while 6 channel increase the performance of the effect

6-10 Pattern Summary

- 11-15 Pattern 1
- 16-20 Pattern 2
- 21-25 Pattern 3
- 26-30 Pattern 4
- 31-35 Pattern 5
- 36-40 Pattern 6
- 41-45 Pattern 7
- 46-50 Pattern 8
- 51-55 Pattern 9
- 56-60 Pattern 10
- 61-65 Pattern 11
- 66-70 Pattern 12
- 71-75 Pattern 13
- 76-80 Pattern 14
- 81-85 Pattern 15
- 86-90 Pattern 16
- 91-95 Pattern 17
- 96-100 Pattern 18
- 101-105 Pattern 19
- 106-110 Pattern 20
- 111-115 Pattern 21
- 116-120 Pattern 22
- 121-125 Pattern 23
- 126-130 Pattern 24
- 131-135 Pattern 25
- 136-140 Pattern 26
- 141-145 Pattern 27
- 146-150 Pattern 28
- 151-155 Pattern 29
- 156-160 Pattern 30
- 161-165 Pattern 31
- 166-170 Pattern 32
- 171-175 Pattern 33
- 176-180 Pattern 34
- 181-185 Pattern 35
- 186-190 Pattern 36
- 191-195 Pattern 37
- 196-200 Pattern 38
- 201-205 Pattern 39
- 206-210 Pattern 40

|         |   |
|---------|---|
|         | Not optional color patterns                       |
| 211-255 | 6 channels increase the performance of the effect |
|         | 211-215 Grad                                      |

|   |            |       |   |
|---|------------|-------|---|
|   |            |       | 216-220 Pulse<br>221-225 Jump<br>226-230 Colorful pattern 1<br>231-235 Colorful pattern 2<br>236-240 Colorful pattern 3<br>241-243 Colorful pattern 4<br>244-246 Colorful pattern 5<br>247-249 Colorful pattern 6<br>250-252 Voice control 1<br>253-255 Voice control 2 |
| 8 | Auto Speed | 0-255 | Auto speed, slow to fast  |

## 20 Channels Mode

| Channel | Function  | DMX Value | Description   |
|---------|-----------|-----------|---|
| 1       | Dimmer    | 0-255     | Dimmer,0-100%   |
| 2       | R 1       | 0-255     | Dimmer,0-100%   |
| 3       | G 1       | 0-255     | Dimmer,0-100%   |
| 4       | B 1       | 0-255     | Dimmer,0-100%   |
| 5       | W 1       | 0-255     | Dimmer,0-100%   |
| 6       | R 2       | 0-255     | Dimmer,0-100%   |
| 7       | G 2       | 0-255     | Dimmer,0-100%   |
| 8       | B 2       | 0-255     | Dimmer,0-100%   |
| 9       | W 2       | 0-255     | Dimmer,0-100%   |
| 10      | R 3       | 0-255     | Dimmer,0-100%   |
| 11      | G 3       | 0-255     | Dimmer,0-100%   |
| 12      | B 3       | 0-255     | Dimmer,0-100%   |
| 13      | W 3       | 0-255     | Dimmer,0-100%   |
| 14      | R 4       | 0-255     | Dimmer,0-100%   |
| 15      | G 4       | 0-255     | Dimmer,0-100%   |
| 16      | B 4       | 0-255     | Dimmer,0-100%   |
| 17      | W 4       | 0-255     | Dimmer,0-100%   |
| 18      | Strobe    | 0-5       | No function   |
|         |           | 6-255     | Strobe from slow to fast  |
| 19      | Auto Mode | 0-5       | empty   |
|         |           | 6-210     | <p>Optional color patterns<br/>           2-5 channels need to be pushed up for assistance, while 6 channel increase the performance of the effect<br/>           6-10 Pattern Summary<br/>           11-15 Pattern 1<br/>           16-20 Pattern 2<br/>           21-25 Pattern 3<br/>           26-30 Pattern 4<br/>           31-35 Pattern 5<br/>           36-40 Pattern 6<br/>           41-45 Pattern 7<br/>           46-50 Pattern 8<br/>           51-55 Pattern 9</p> |

|    |            |         |   |
|----|------------|---------|---|
|    |            |         | 56-60 Pattern 10<br>61-65 Pattern 11<br>66-70 Pattern 12<br>71-75 Pattern 13<br>76-80 Pattern 14<br>81-85 Pattern 15<br>86-90 Pattern 16<br>91-95 Pattern 17<br>96-100 Pattern 18<br>101-105 Pattern 19<br>106-110 Pattern 20<br>111-115 Pattern 21<br>116-120 Pattern 22<br>121-125 Pattern 23<br>126-130 Pattern 24<br>131-135 Pattern 25<br>136-140 Pattern 26<br>141-145 Pattern 27<br>146-150 Pattern 28<br>151-155 Pattern 29<br>156-160 Pattern 30<br>161-165 Pattern 31<br>166-170 Pattern 32<br>171-175 Pattern 33<br>176-180 Pattern 34<br>181-185 Pattern 35<br>186-190 Pattern 36<br>191-195 Pattern 37<br>196-200 Pattern 38<br>201-205 Pattern 39<br>206-210 Pattern 40 |
|    |            | 211-255 | Not optional color patterns<br>6 channels increase the performance of the effect<br>211-215 Grad<br>216-220 Pulse<br>221-225 Jump<br>226-230 Colorful pattern 1<br>231-235 Colorful pattern 2<br>236-240 Colorful pattern 3<br>241-243 Colorful pattern 4<br>244-246 Colorful pattern 5<br>247-249 Colorful pattern 6<br>250-252 Voice control 1<br>253-255 Voice control 2   |
| 20 | Auto Speed | 0-255   | Auto speed, slow to fast  |

## 32 Channels Mode

| Channel | Function | DMX Value | Description   |
|---------|----------|-----------|---------------|
| 1       | R 1      | 0-255     | Dimmer,0-100% |
| 2       | G 1      | 0-255     | Dimmer,0-100% |
| 3       | B 1      | 0-255     | Dimmer,0-100% |
| 4       | W 1      | 0-255     | Dimmer,0-100% |
| 5       | R 2      | 0-255     | Dimmer,0-100% |
| 6       | G 2      | 0-255     | Dimmer,0-100% |
| 7       | B 2      | 0-255     | Dimmer,0-100% |
| 8       | W 2      | 0-255     | Dimmer,0-100% |
| ...     | ...      | ...       | ...           |
| 29      | R 8      | 0-255     | Dimmer,0-100% |
| 30      | G 8      | 0-255     | Dimmer,0-100% |
| 31      | B 8      | 0-255     | Dimmer,0-100% |
| 32      | W 8      | 0-255     | Dimmer,0-100% |

### REMARK

The product has perfect performance and integrity packing.

All users should be strictly comply with the warning and operating instructions as stated.

Or we aren't in charge of any result by misusing.

Any damage resulting by misuse is not within the Company's warranty.

Any fault or problem caused by neglecting the manual is also not in the charge of dealers.

Errors and omissions for every information given in this manual excepted.

All information is subject to change without prior notice.