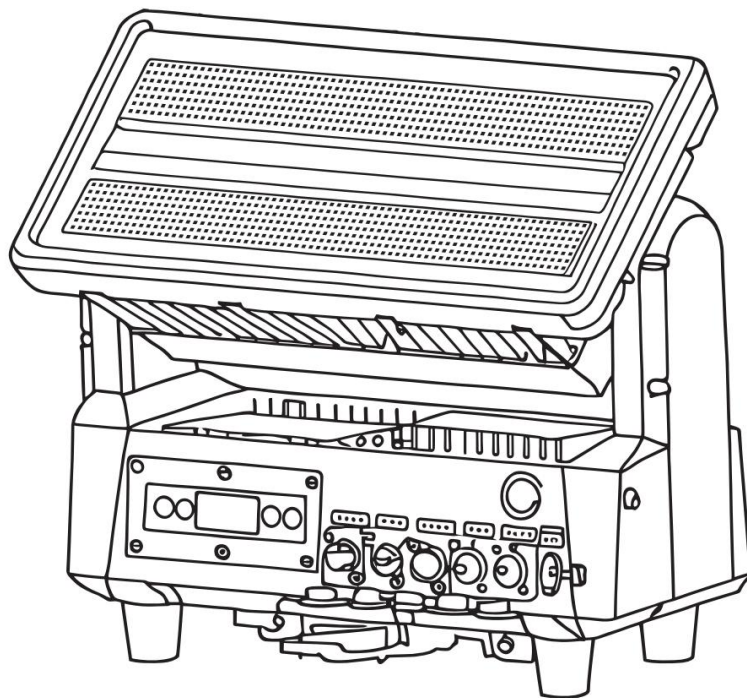


# Strike M1400 PRO

## User Manual



**Guangzhou Mitek Light Co.,LTD**

Email: [info@miteklight.com](mailto:info@miteklight.com)

Website: [www.miteklight.com](http://www.miteklight.com)

Add: No. 21 Dongfeng Avenue, Automobile Industry Base, Huadu District, Guangzhou

## **TECHNICAL PARAMETERS**

### **Light source**

Input voltage: AC90-240V 50HZ/60HZ

Whole lamp power: 1400W

Light source specifications: 784 RGB 0.5W ultra bright light sources, 392 white light 3W ultra bright light sources

Rated lifespan: 50000 hours

### **Optical**

Color: Red, green, blue, white, multiple colors with infinite variations

Lamp bead control: RGB14 segment control, white light 28 segment control

Electronic strobe, 0.3-25 times/second

Dimming: Electronic dimming with 0-100% linear adjustment, with gamma curve dimming frequency adjustable from 1.2K to 25K, macro command dimming with linear stability and smoothness without flicker, using stable constant current drive and power supply, suitable for video recording and shooting

### **Controls**

Control mode: 24CH (simplified) 8CH/11CH/13CH/24CH/30CH/74CH/97CH

(standard) 7 channel control modes, standard DMX512 protocol, RDM protocol

Power connection method: Power input/output, maximum connection quantity @ 2 units 230V, 1 unit 120V

Signal connection method: DMX512 input/output, maximum connection quantity of 30 3-core units

Support network protocol Artnet

Display function: LCD touch screen, bilingual menu in Chinese and English, sensor fault display, temperature display

### **Body**

Vertical direction: 220 ° (16 bit precision scanning)

The Y-axis is driven by a high-speed silent 60 three-phase thickened motor, which makes the operation faster and smoother. In case of misoperation, it can automatically return to its original position and the vertical speed can be adjusted;

Y-axis rotation function and reverse function; Using optical electromagnetic coding for high-precision positioning

Cooling system: High conductivity lightweight aluminum radiator is used, and the intelligent monitoring technology of the fan automatically adjusts the fan speed according to the temperature of the lamp. The built-in overheat protection intelligent system/intelligent temperature and noise balance module

Protection level: IP65

### **Dimensions**

Lamp packaging: waterproof and shockproof aviation box or cardboard box

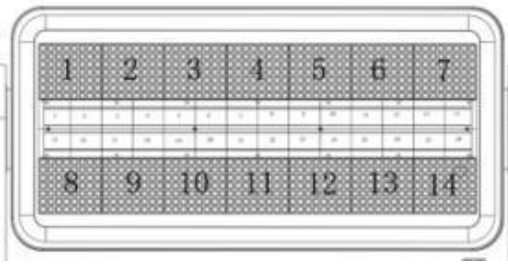
Gross weight: 17KG

Net weight: 15KG Product size: 404 \* 202 \* 350MM

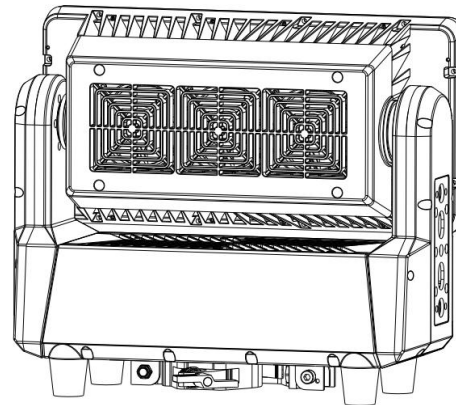
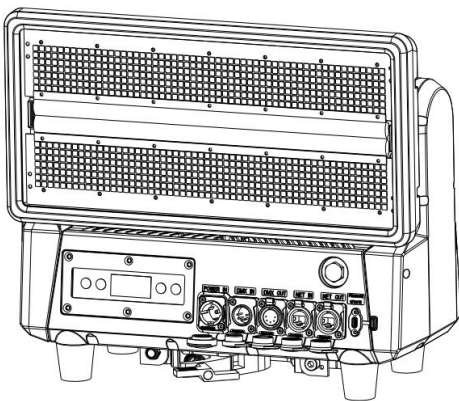
Flight case size(2pcs/case): 96\*45\*78cm

Flight case NW.: 31kg; GW. : 72kg

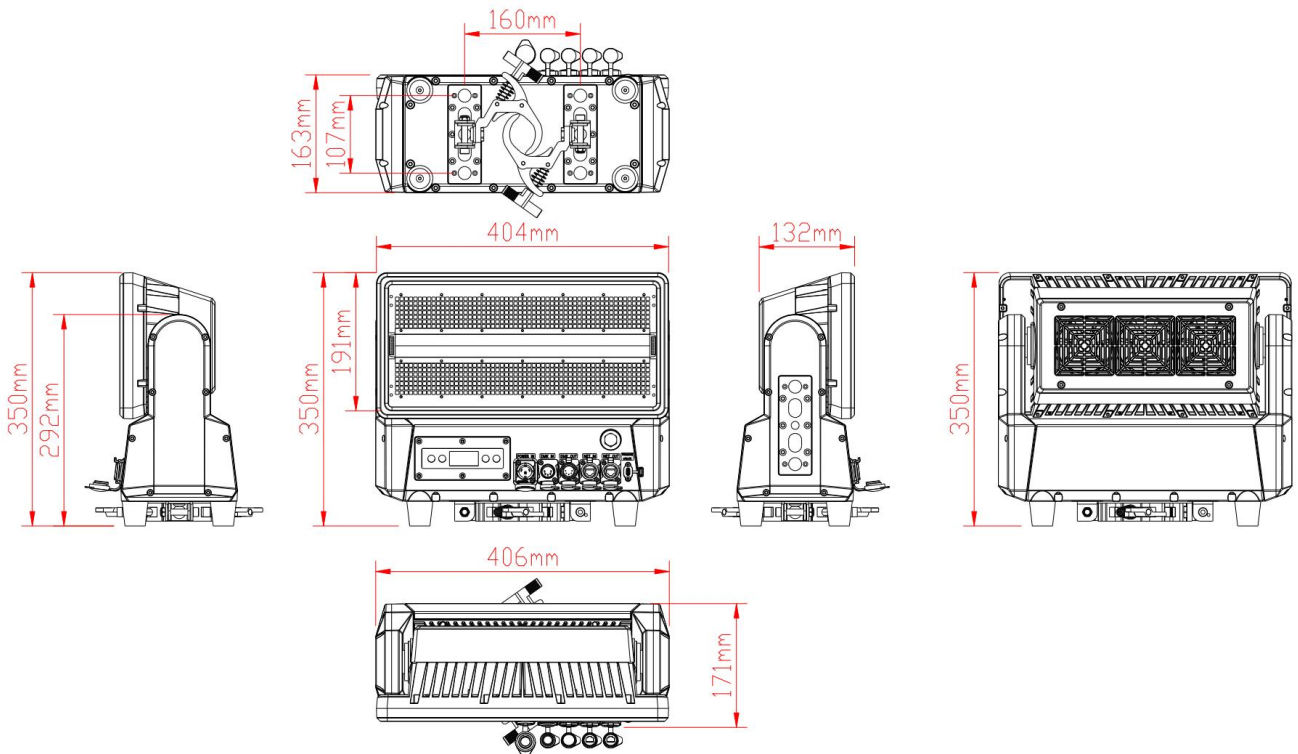
## LEDs Arrangement



## Product View



## SIZE DRAWING



## STATEMENT

The product has well capability and intact packing when leave factory. All of the user should comply with warning item and manual, any misuse cause of the damages are not included in our guarantee, and also can not be responsible for any malfunction & problem owing to ignore the manual.

## Safety Instruction

Please keep this User Guide for future consultation. If you sell the unit to another user, be sure that they also receive this instruction booklet.

Unpack and check carefully there is no transportation damage before using the unit.

Before operating, ensure that the voltage and frequency of power supply match the power requirements of the unit.

It's important to ground the yellow/green conductor to earth in order to avoid electric shock.

The unit must be installed in a location with adequate ventilation, at least

50cm from adjacent surfaces. Be sure that no ventilation slots are blocked. Disconnect main power before replacement or servicing.

Make sure there are no flammable materials close to the unit while operating as it is fire hazard.

Use safety cable when fixes this unit. DO NOT handle the unit by taking its head only, but always by taking its base.

Maximum ambient temperature is  $T_a: 40^{\circ}\text{C}$  . DO NOT operate it where the

temperature is higher than this Unit surface temperature may reach up to

$85^{\circ}\text{C}$  . DO NOT touch the housing bare-hand during its operation. Turn off the power and allow about 15 minutes for the unit to cool down before replacing or serving.

In the event of serious operating problem, stop using the unit

immediately. Never try to repair the unit by yourself. Repairs carried out by

unskilled people can lead to damage or malfunction. Please contact the

nearest authorized technical assistance center. Always use the same type spare parts.

DO NOT touch any wire during operation as high voltage might be causing electric shock.

## WARNING:

To prevent or reduce the risk of electrical shock or fire, do not expose the unit to rain or moisture.

DO NOT open the unit within five minutes after switching off.

The housing, the lenses, or the ultraviolet filter must be replaced if they are visibly damaged.

## CAUTION

There are no user serviceable parts inside the unit. DO NOT open the housing or attempt any repairs yourself. In the unlikely event your unit may require service, please contact your nearest dealer.

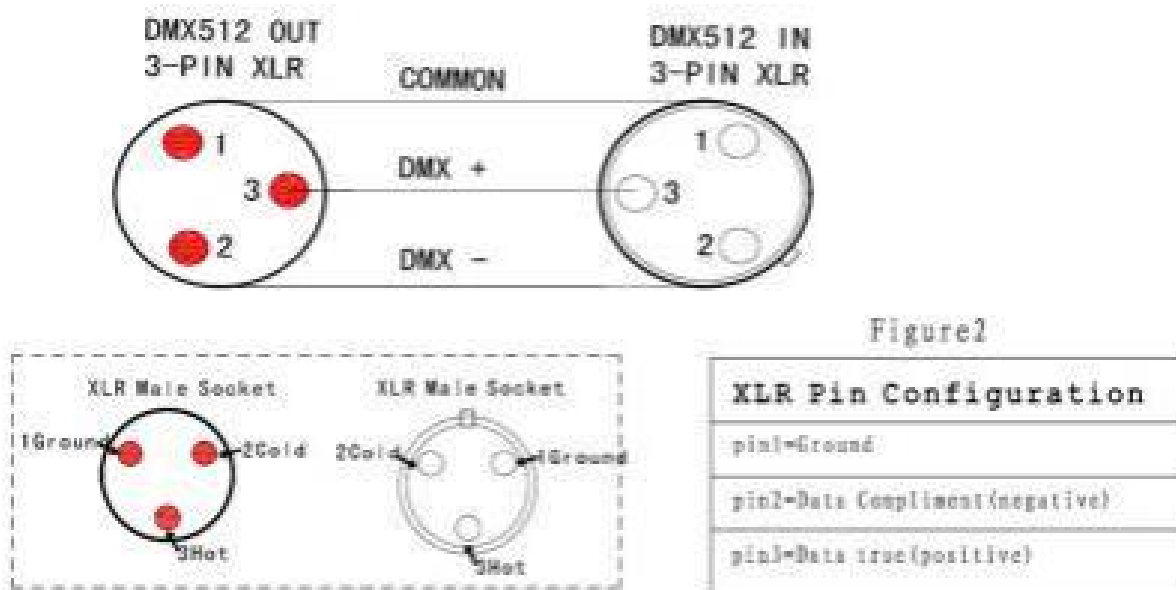
## INSTALLATION:

The unit should be mounted via its screw holes on the bracket. Always ensure

that the unit is firmly fixed to avoid vibration and slipping while operating. And make sure that the structure to which you are attaching the unit is secure and is able to support a weight of 10 times of the unit's weight. Also always use a safety cable that can hold 12 times of the weight of the unit when installing the fixture. The equipment must be fixed by professionals. And it must be fixed at a place where is out of the touch of people.

## How to Control The Device

The DMX512 is widely used in intelligent lighting control, with a DMX 512 controller. connect several lights together, dmx in and dmx out, 3 pin XLR connectors: Pin 1: GND, Pin 2: Negative signal (-), Pin 3: Positive signal (+)



## Display:

- MENU To select the programming functions
- DOWN To go backward in the selected functions
- UP To go forward in the selected functions
- ENTER To confirm the selected functions

Set DMX Address Code

1. Press "**Menu**" to "Set DMX Address", and press "**ENTER**" keys to enter into
2. Show "Set DMX Address DMX Address:001", Press the "**UP** and **DOWN**" keys to amended
3. Press "**ENTER**" keys to save and Exit, Press the "**MENU**" Keys does not save and Exit
4. Functions setting via LCD display panel as below:

	Main Level	Programming Levels
1	Protocol	DMX512

2	DMX Address	1-512*			
3	DMX Channel	8CH			
		11CH			
		13CH			
		24CH			
		30CH			
		74CH			
		97CH			
4	Static	Fixed Color	R		
			G		
			B		
			GB		
			RB		
			RG		
		RGB			
Manual Color Mixer	Red	0-255			
	Green				
	Blue				
5	Plate FX	Speed	1-100		
		Plate FX 1	Plate Intensity	000-255	
		Plate FX 2	Background Color	R	
		Plate FX 3		G	
		Plate FX 4		B	
		Plate FX 5		GB	
		Plate FX 6		RB	
		Plate FX 7		RG	
		Plate FX 8		RGB	
Plate FX 9					
		Foreground Color	Off		
			R		
			G		
			B		
			GB		
			RB		
			RG		
			RGB		
Off					
6	Beam Intensity	000-255			

7	Beam Flash Duration	000-255		
8	Beam Flash Rate	000-255		
9	Tilt	000-255		
10	Tilt Offset	000-255		
11	Tilt Invert	No		
		Yes		
12	Pixel Invert	Plate1 Invert	No	
			Yes	
		Plate2 Invert	No	
			Yes	
		Tube1 Invert	No	
			Yes	
		Tube2 Invert	No	
			Yes	
13	LED Array Swap	Plate Swap	No	
			Yes	
	Beam Swap	No		
		Yes		
14	Master/Slave	Master		
		Slave		
15	Dimmer Mode	OFF		
		DIM1-3		
16	White Balance	Off		
		Manual	Red Blue	Green
17	LED Frequency	600Hz 2000Hz 6000Hz	1200Hz 4000Hz 25000Hz	
18	Fan Mode	Auto		
		On		
19	Display Invert	No		
		Yes		

20	Backlight	10s	
		30s	
		2Min	
		Always On	
21	Key Lock	On	
		Off	
22	Ethernet Setting	Universe	0–255 (ArtNet) 1–255 (sACN)
		IP Address	2.192.0.1
23	Information	Fixture Hours:	___ Hours
		LED Hours:	__ H
		Disp Ver:	V_____
		Drv-Y Ver:	V_____
		LED-A Ver:	V_____
		LED-C Ver:	V .
		Net Ver:	V_____
		UID	-----
24	Update Firmwar e	Only this Unit	_____ .CHL ...
		Multiple Units	_____ .CHL ...
			_____ .CHL ...
		Other Fixture Type	_____ .CHL ...

**DMX Channel Tablee**  
**DMX 512 97CHs**

CH	Function	Value	Percent/Setting
1	Tilt	000-255	0-100%
2	Fine tilt	000-255	0-100%
3	Master dimmer	000-255	0-100%



4	Plate dimmer	000-255	0-100%
5	Beam dimmer	000-255	0-100%
6	Plate flash duration	000-009	Classic shutter mode:disables duration control
		010-250	Slow to fast
		251-255	100% On,no flash/strobe
7	Plate flash rate	000-009	100%
		010-250	Slow to fast
		251-255	100%
8	Beam flash duration	000-009	Classic shutter mode:disables duration control
		010-250	Slow to fast
		251-255	100% On,no flash/strobe
9	Beam flash rate	000-009	100%
		010-250	Slow to fast
		251-255	100%
10	Plate pixel 1 red	000-255	0-100%
11	Plate pixel 1 green	000-255	0-100%
12	Plate pixel 1 blue	000-255	0-100%
13	Plate pixel 2 red	000-255	0-100%
14	Plate pixel 2 green	000-255	0-100%
15	Plate pixel 2 blue	000-255	0-100%
16	Plate pixel 3 red	000-255	0-100%
17	Plate pixel 3 green	000-255	0-100%
18	Plate pixel 3 blue	000-255	0-100%

19	Plate pixel 4 red	000-255	0-100%
20	Plate pixel 4 green	000-255	0-100%
21	Plate pixel 4 blue	000-255	0-100%
22	Plate pixel 5 red	000-255	0-100%
23	Plate pixel 5 green	000-255	0-100%
24	Plate pixel 5 blue	000-255	0-100%
25	Plate pixel 6 red	000-255	0-100%
26	Plate pixel 6 green	000-255	0-100%
27	Plate pixel 6 blue	000-255	0-100%
28	Plate pixel 7 red	000-255	0-100%
29	Plate pixel 7 green	000-255	0-100%
30	Plate pixel 7 blue	000-255	0-100%
31	Plate pixel 8 red	000-255	0-100%
32	Plate pixel 8 green	000-255	0-100%
33	Plate pixel 8 blue	000-255	0-100%
34	Plate pixel 9 red	000-255	0-100%
35	Plate pixel 9 green	000-255	0-100%
36	Plate pixel 9 blue	000-255	0-100%
37	Plate pixel 10 red	000-255	0-100%
38	Plate pixel 10 green	000-255	0-100%
39	Plate pixel 10 blue	000-255	0-100%
40	Plate pixel 11 red	000-255	0-100%
41	Plate pixel 11 green	000-255	0-100%

42	Plate pixel 11 blue	000-255	0-100%
43	Plate pixel 12 red	000-255	0-100%
44	Plate pixel 12 green	000-255	0-100%
45	Plate pixel 12 blue	000-255	0-100%
46	Plate pixel 13red	000-255	0-100%
47	Plate pixel 13 green	000-255	0-100%
48	Plate pixel 13 blue	000-255	0-100%
49	Plate pixel 14 red	000-255	0-100%
50	Plate pixel 14 green	000-255	0-100%
51	Plate pixel 14 blue	000-255	0-100%
52	Beam pixel 1	000-255	0-100%
53	Beam pixel 2	000-255	0-100%
54	Beam pixel 3	000-255	0-100%
55	Beam pixel 4	000-255	0-100%
56	Beam pixel 5	000-255	0-100%
57	Beam pixel 6	000-255	0-100%
58	Beam pixel 7	000-255	0-100%
59	Beam pixel 8	000-255	0-100%
60	Beam pixel 9	000-255	0-100%
61	Beam pixel 10	000-255	0-100%
62	Beam pixel 11	000-255	0-100%
63	Beam pixel 12	000-255	0-100%
64	Beam pixel 13	000-255	0-100%

65	Beam	pixel 14	000-255	0-100%
66	Beam	pixel 15	000-255	0-100%
67	Beam	pixel 16	000-255	0-100%
68	Beam	pixel 17	000-255	0-100%
69	Beam	pixel 18	000-255	0-100%
70	Beam	pixel 19	000-255	0-100%
71	Beam	pixel 20	000-255	0-100%
72	Beam	pixel 21	000-255	0-100%
73	Beam	pixel 22	000-255	0-100%
74	Beam	pixel 23	000-255	0-100%
75	Beam	pixel 24	000-255	0-100%
76	Beam	pixel 25	000-255	0-100%
77	Beam	pixel 26	000-255	0-100%
78	Beam	pixel 27	000-255	0-100%
79	Beam	pixel 28	000-255	0-100%
80	Beam	FX	000-005	No function
			006-042	Ramp up
			043-085	Ramp down
			086-128	Ramp up-down
			129-171	Random
			172-214	Lightning
			215-255	Spikes
			000-000	No function

81 82 83	Plates foreground Plate foreground dimmer Plate background	001-002	White(2700K)
		003-004	White(3200K)
		005-006	White(4200K)
		007-008	White(5600K)
		009-010	White(8000K)
		011	Blue R:0 G:0 B:255 W:0
		012-048	Green+/Blue R:0 G:+ B:255 W:0
		049	Cyan R:0 G:255 B:255 W:0
		050-086	Green/Blue- R:0 G:255 B:- W:0
		087	Green R:0 G:255 B:0 W:0
		088-124	Red+/Green R:+ G:255 B:0 W:0
125	Yellow R:255 G:255 B:0 W:0		
126-162	Red/Green- R:255 G:- B:0 W:0		
163	Red R:255 G:0 B:0 W:0		
164-200	Red/Blue+ R:255 G:0 B:+ W:0		
201	Magenta R:255 G:0 B:255 W:0		
202-238	Red-/Blue R:- G:0 B:255 W:0		
239	Blue R:0 G:0 B:255 W:0		
240-247	Color index,fast to slow		
248-255	Color snap,fast to slow		
000-255	0-100%		
000-000	No function		

		001-002	White(2700K)
		003-004	White(3200K)
		005-006	White(4200K)
		007-008	White(5600K)
		009-010	White(8000K)
		011	Blue R:0 G:0 B:255 W:0
		012-048	Green+/Blue R:0 G:+ B:255 W:0
		049	Cyan R:0 G:255 B:255 W:0
		050-086	Green/Blue- R:0 G:255 B:- W:0
		087	Green R:0 G:255 B:0 W:0
		088-124	Red+/Green R:+ G:255 B:0 W:0
		125	Yellow R:255 G:255 B:0 W:0
		126-162	Red/Green- R:255 G:- B:0 W:0
		163	Red R:255 G:0 B:0 W:0
		164-200	Red/Blue+ R:255 G:0 B:+ W:0
		201	Magenta R:255 G:0 B:255 W:0
		202-238	Red-/Blue R:- G:0 B:255 W:0
		239	Blue R:0 G:0 B:255 W:0
		240-247	Color index,fast to slow
		248-255	Color snap,fast to slow
84	Plate background dimmer	000-255	0-100%
	Plate 1(pixels 1-7)	000-002	Plate FX All select(all on) see Plate Patterns

85	FX select (see Pixel Mapping)	003-255	
86	Plate 1(pixels 1-7) FX movement speed & direction (see Pixel Mapping)	000-005	No function
		006-124	Left to right,fast to slow
		125-130	No function
		131-249	Right to left,slow to fast
		250-255	No function
87	Plate 1(pixels 1-7)	000-002	Snap from cell to cell
	FX crossfade (see Pixel Mapping)	003-255	Fade duration:short to long
88	Plate 2(pixels 8-14)	000-002	Plate FX All select(all on) see Plate Patterns
	FX select (see Pixel Mapping)	003-255	
89	Plate 2(pixels 8-14) FX movement speed & direction (see Pixel Mapping)	000-005	No function
		006-124	Left to right,fast to slow
		125-130	No function
		131-249	Right to left,slow to fast
		250-255	No function
90	Plate 2(pixels 8-14)	000-002	Snap from cell to cell
	FX crossfade (see Pixel Mapping)	003-255	Fade duration:short to long
91	Beam 1(pixels 1-14)	000-002	Beam FX All select(all on) see Beam Patterns
	FX select (see Pixel Mapping)	003-255	
92	Beam 1(pixels 1-14) FX movement speed & direction (see Pixel Mapping)	000-005	No function
		006-124	Left to right,fast to slow
		125-130	No function
		131-249	Right to left,slow to fast

		250-255	No function
93	Beam 1(pixels 1-14)	000-002	Snap from cell to cell Fade duration:short to long
	FX crossfade (see Pixel Mapping)	003-255	
94	Beam 2(pixels 15-28) FX select (see Pixel Mapping)	000-002	Beam FX All select(all on) see Beam Patterns
		003-255	
95	Beam 2(pixels 15-28)FX movement speed & direction (see Pixel Mapping)	000-005	No function
		006-124	Left to right,fast to slow
		125-130	No function
		131-249	Right to left,slow to fast
		250-255	No function
96	Beam 2(pixels 15-28) FX crossfade (see Pixel Mapping)	000-002	Snap from cell to cell Fade duration:short to long
		003-255	
97	Control*	000-005	No function
		006-010	Off (dimmer mode)
		011-015	Dimmer 1
		016-020	Dimmer 2
		021-025	Dimmer 3
		026-030	600 Hz
		031-035	1200 Hz
		036-040	2000 Hz
		041-045	4000 Hz
		046-050	6000 Hz
		051-055	25 KHz



		056-060	Fan mode auto
		060-065	Fan mode on
		066-070	Tilt reset
		071-075	Plate 1 invert off
		076-080	Plate 1 invert on
		081-085	Plate 2 invert off
		086-090	Plate 2 invert on
		091-095	Beam 1 invert off
		096-100	Beam 1 invert on
		101-105	Beam 2 invert off
		106-110	Beam 2 invert on
		111-115	Plate swap on
		116-120	Plate swap off
		121-125	Beam swap on
		126-130	Beam swap off
		131-255	No function

## DMX 512 74CHs

CH	Function	Value	Percent/Setting
1	Tilt	000-255	0-100%
2	Fine tilt	000-255	0-100%
3	Dimmer	000-255	0-100%
4	Strobe	000-009	Open
		010-079	Strobe,slow to fast
		080-149	Pulse,slow to fast
		150-219	Random Strobe,slow to fast
		220-255	Open
5	Plate pixel 1 red	000-255	0-100%

6	Plate pixel 1 green	000-255	0-100%
7	Plate pixel 1 blue	000-255	0-100%
8	Plate pixel 2 red	000-255	0-100%
9	Plate pixel 2 green	000-255	0-100%
10	Plate pixel 2 blue	000-255	0-100%
11	Plate pixel 3 red	000-255	0-100%
12	Plate pixel 3 green	000-255	0-100%
13	Plate pixel 3 blue	000-255	0-100%
14	Plate pixel 4 red	000-255	0-100%
15	Plate pixel 4 green	000-255	0-100%
16	Plate pixel 4 blue	000-255	0-100%
17	Plate pixel 5 red	000-255	0-100%
18	Plate pixel 5 green	000-255	0-100%
19	Plate pixel 5 blue	000-255	0-100%
20	Plate pixel 6 red	000-255	0-100%
21	Plate pixel 6 green	000-255	0-100%
22	Plate pixel 6 blue	000-255	0-100%
23	Plate pixel 7 red	000-255	0-100%
24	Plate pixel 7 green	000-255	0-100%
25	Plate pixel 7 blue	000-255	0-100%
26	Plate pixel 8 red	000-255	0-100%
27	Plate pixel 8 green	000-255	0-100%
28	Plate pixel 8 blue	000-255	0-100%
29	Plate pixel 9 red	000-255	0-100%
30	Plate pixel 9 green	000-255	0-100%
31	Plate pixel 9 blue	000-255	0-100%
32	Plate pixel 10 red	000-255	0-100%
33	Plate pixel 10 green	000-255	0-100%
34	Plate pixel 10 blue	000-255	0-100%
35	Plate pixel 11 red	000-255	0-100%
36	Plate pixel 11 green	000-255	0-100%
37	Plate pixel 11 blue	000-255	0-100%
38	Plate pixel 12 red	000-255	0-100%
39	Plate pixel 12 green	000-255	0-100%
40	Plate pixel 12 blue	000-255	0-100%
41	Plate pixel 13 red	000-255	0-100%
42	Plate pixel 13 green	000-255	0-100%
43	Plate pixel 13 blue	000-255	0-100%
44	Plate pixel 14 red	000-255	0-100%
45	Plate pixel 14 green	000-255	0-100%
46	Plate pixel 14 blue	000-255	0-100%

47	Beam	pixel 1	000-255	0-100%
48	Beam	pixel 2	000-255	0-100%
49	Beam	pixel 3	000-255	0-100%
50	Beam	pixel 4	000-255	0-100%
51	Beam	pixel 5	000-255	0-100%
52	Beam	pixel 6	000-255	0-100%
53	Beam	pixel 7	000-255	0-100%
54	Beam	pixel 8	000-255	0-100%
55	Beam	pixel 9	000-255	0-100%
56	Beam	pixel 10	000-255	0-100%
57	Beam	pixel 11	000-255	0-100%
58	Beam	pixel 12	000-255	0-100%
59	Beam	pixel 13	000-255	0-100%
60	Beam	pixel 14	000-255	0-100%
61	Beam	pixel 15	000-255	0-100%
62	Beam	pixel 16	000-255	0-100%
63	Beam	pixel 17	000-255	0-100%
64	Beam	pixel 18	000-255	0-100%
65	Beam	pixel 19	000-255	0-100%
66	Beam	pixel 20	000-255	0-100%
67	Beam	pixel 21	000-255	0-100%
68	Beam	pixel 22	000-255	0-100%
69	Beam	pixel 23	000-255	0-100%
70	Beam	pixel 24	000-255	0-100%
71	Beam	pixel 25	000-255	0-100%
72	Beam	pixel 26	000-255	0-100%
73	Beam	pixel 27	000-255	0-100%
74	Beam	pixel 28	000-255	0-100%

## DMX 512 30CHs

CH	Function	Value	Percent/Setting
1	Tilt	000-255	0-100%
2	Fine tilt	000-255	0-100%
3	Master dimmer	000-255	0-100%
4	Plate dimmer	000-255	0-100%
5	Beam dimmer	000-255	0-100%
6	Plate flash duration	000-009	Classic shutter mode:disables duration control
		010-250	Slow to fast
		251-255	100% On,no flash/strobe

7	Plate flash rate	000-009	100%
		010-250	Slow to fast
		251-255	100%
8	Beam flash duration	000-009	Classic shutter mode:disables duration control
		010-250	Slow to fast
		251-255	100% On,no flash/strobe
9	Beam flash rate	000-009	100%
		010-250	Slow to fast
		251-255	100%
10	Plates red	000-255	0-100%
11	Plates green	000-255	0-100%
12	Plates blue	000-255	0-100%
13	Beam FX	000-005	No function
		006-042	Ramp up
		043-085	Ramp down
		086-128	Ramp up-down
		129-171	Random
		172-214	Lightning
		215-255	Spikes
14	Plates foreground	000-000	No function
		001-002	White(2700K)
		003-004	White(3200K)
		005-006	White(4200K)
		007-008	White(5600K)
		009-010	White(8000K)
		011	Blue R:0 G:0 B:255 W:0
		012-048	Green+/Blue R:0 G:+ B:255 W:0
		049	Cyan R:0 G:255 B:255 W:0
		050-086	Green/Blue- R:0 G:255 B:- W:0
		087	Green R:0 G:255 B:0 W:0
088-124	Red+/Green R:+ G:255 B:0 W:0		
		125	Yellow R:255 G:255 B:0 W:0
		126-162	Red/Green- R:255 G:- B:0 W:0

		163	Red R:255 G:0 B:0 W:0
		164-200	Red/Blue+ R:255 G:0 B:+ W:0
		201	Magenta R:255 G:0 B:255 W:0
		202-238	Red-/Blue R:- G:0 B:255 W:0
		239	Blue R:0 G:0 B:255 W:0
		240-247	Color index,fast to slow
		248-255	Color snap,fast to slow
15	Plates foreground dimmer	000-255	0-100%
16	Plates background	000-000	No function
		001-002	White(2700K)
		003-004	White(3200K)
		005-006	White(4200K)
		007-008	White(5600K)
		009-010	White(8000K)
		011	Blue R:0 G:0 B:255 W:0
		012-048	Green+/Blue R:0 G:+ B:255 W:0
		049	Cyan R:0 G:255 B:255 W:0
		050-086	Green/Blue- R:0 G:255 B:- W:0
		087	Green R:0 G:255 B:0 W:0
		088-124	Red+/Green R:+ G:255 B:0 W:0
		125	Yellow R:255 G:255 B:0 W:0
		126-162	Red/Green- R:255 G:- B:0 W:0
		163	Red R:255 G:0 B:0 W:0
		164-200	Red/Blue+ R:255 G:0 B:+ W:0
		201	Magenta R:255 G:0 B:255 W:0
		202-238	Red-/Blue R:- G:0 B:255 W:0

		239	Blue R:0 G:0 B:255 W:0
		240-247	Color index,fast to slow
		248-255	Color snap,fast to slow
17	Plates background dimmer	000-255	0-100%
18	Plate 1(pixels 1-7)	000-002	Plate FX All select(all on) see Plate Patterns
	FX select (see Pixel Mapping)	003-255	
19	Plate 1(pixels 1-7) FX movement speed & direction (see Pixel Mapping)	000-005	No function
		006-124	Left to right,fast to slow
		125-130	No function
		131-249	Right to left,slow to fast
		250-255	No function
20	Plate 1(pixels 1-7)	000-002	Snap from cell to cell
	FX crossfade (see Pixel Mapping)	003-255	Fade duration:short to long
21	Plate 2(pixels 8-14)	000-002	Plate FX All select(all on) see Plate Patterns
	FX select (see Pixel Mapping)	003-255	
22	Plate 2(pixels 8-14) FX movement speed & direction (see Pixel Mapping)	000-005	No function
		006-124	Left to right,fast to slow
		125-130	No function
		131-249	Right to left,slow to fast
		250-255	No function
23	Plate 2(pixels 8-14)	000-002	Snap from cell to cell
	FX crossfade (see Pixel Mapping)	003-255	Fade duration:short to long
24	Beam 1(pixels 1-14)	000-002	Beam FX All select(all on) see Beam Patterns
	FX select (see Pixel Mapping)	003-255	
25	Beam 1(pixels 1-14) FX movement speed & direction (see Pixel Mapping)	000-005	No function
		006-124	Left to right,fast to slow
		125-130	No function
		131-249	Right to left,slow to fast
		250-255	No function
26	Beam 1(pixels 1-14)	000-002	Snap from cell to cell
	FX crossfade (see Pixel Mapping)	003-255	Fade duration:short to long
27	Beam 2(pixels 15-28) FX select (see Pixel Mapping)	000-002	Beam FX All select(all on) see Beam Patterns
		003-255	
	Beam 2(pixels	000-005	No function
		006-124	Left to right,fast to slow

28	15-28)FX movement speed & direction (see Pixel Mapping)	125-130	No function
		131-249	Right to left,slow to fast
		250-255	No function
29	Beam 2(pixels 15-28) FX crossfade (see Pixel Mapping)	000-002	Snap from cell to cell Fade duration:short to long
		003-255	
30	Control*	000-005	No function
		006-010	Off (dimmer mode)
		011-015	Dimmer 1
		016-020	Dimmer 2
		021-025	Dimmer 3
		026-030	600 Hz
		031-035	1200 Hz
		036-040	2000 Hz
		041-045	4000 Hz
		046-050	6000 Hz
		051-055	25 KHz
		056-060	Fan mode auto
		060-065	Fan mode on
		066-070	Tilt reset
		071-075	Plate 1 invert off
		076-080	Plate 1 invert on
		081-085	Plate 2 invert off
		086-090	Plate 2 invert on
		091-095	Beam 1 invert off
		096-100	Beam 1 invert on
101-105	Beam 2 invert off		
		106-110	Beam 2 invert on
		111-115	Plate swap on
		116-120	Plate swap off
		121-125	Beam swap on
		126-130	Beam swap off
		131-255	No function

## DMX 512 24CHs

CH	Function	Value	Percent/Setting
1	Tilt	000-255	0-100%
2	Fine tilt	000-255	0-100%
3	Master dimmer	000-255	0-100%
4	Plate dimmer	000-255	0-100%

5	Beam dimmer	000-255	0-100%
6	Plate flash duration	000-009	Classic shutter mode:disables duration control
		010-250	Slow to fast
		251-255	100% On,no flash/strobe
7	Plate flash rate	000-009	100%
		010-250	Slow to fast
		251-255	100%
8	Beam flash duration	000-009	Classic shutter mode:disables duration control
		010-250	Slow to fast
		251-255	100% On,no flash/strobe
9	Beam flash rate	000-009	100%
		010-250	Slow to fast
		251-255	100%
10	Plates red	000-255	0-100%
11	Plates green	000-255	0-100%
12	Plates blue	000-255	0-100%
13	Beam FX	000-005	No function
		006-042	Ramp up
		043-085	Ramp down
		086-128	Ramp up-down
		129-171	Random
		172-214	Lightning
		215-255	Spikes
14	Plates foreground	000-000	No function
		001-002	White(2700K)
		003-004	White(3200K)
		005-006	White(4200K)
		007-008	White(5600K)
		009-010	White(8000K)
		011	Blue R:0 G:0 B:255 W:0
		012-048	Green+/Blue R:0 G:+ B:255 W:0
		049	Cyan R:0 G:255 B:255 W:0
		050-086	Green/Blue- R:0 G:255 B:- W:0
087	Green R:0 G:255 B:0 W:0		



		088-124	Red+/Green R:+ G:255 B:0 W:0
		125	Yellow R:255 G:255 B:0 W:0
		126-162	Red/Green- R:255 G:- B:0 W:0
		163	Red R:255 G:0 B:0 W:0
		164-200	Red/Blue+ R:255 G:0 B:+ W:0
		201	Magenta R:255 G:0 B:255 W:0
		202-238	Red-/Blue R:- G:0 B:255 W:0
		239	Blue R:0 G:0 B:255 W:0
		240-247	Color index,fast to slow
		248-255	Color snap,fast to slow
15	Plates foreground dimmer	000-255	0-100%
16	Plates background	000-000	No function
		001-002	White(2700K)
		003-004	White(3200K)
		005-006	White(4200K)
		007-008	White(5600K)
		009-010	White(8000K)
		011	Blue R:0 G:0 B:255 W:0
		012-048	Green+/Blue R:0 G:+ B:255 W:0
		049	Cyan R:0 G:255 B:255 W:0
		050-086	Green/Blue- R:0 G:255 B:- W:0
		087	Green R:0 G:255 B:0 W:0
		088-124	Red+/Green R:+ G:255 B:0 W:0
		125	Yellow R:255 G:255 B:0 W:0
		126-162	Red/Green- R:255 G:- B:0 W:0
		163	Red R:255 G:0 B:0 W:0

		164-200	Red/Blue+ R:255 G:0 B:+ W:0
		201	Magenta R:255 G:0 B:255 W:0
		202-238	Red-/Blue R:- G:0 B:255 W:0
		239	Blue R:0 G:0 B:255 W:0
		240-247	Color index,fast to slow
		248-255	Color snap,fast to slow
17	Plates background dimmer	000-255	0-100%
18	Plates 1&2	000-002	Plate FX All select(all on) see Plate Patterns
	FX select (see Pixel Mapping)	003-255	
19	Plates 1&2 FX movement speed & direction (see Pixel Mapping)	000-005	No function
		006-124	Left to right,fast to slow
		125-130	No function
		131-249	Right to left,slow to fast
		250-255	No function
20	Plates 1&2	000-002	Snap from cell to cell
	FX crossfade (see Pixel Mapping)	003-255	Fade duration:short to long
21	Beams 1&2	000-002	Beam FX All select(all on) see Beam Patterns
	FX select (see Pixel Mapping)	003-255	
22	Beams 1&2 FX movement speed & direction (see Pixel Mapping)	000-005	No function
		006-124	Left to right,fast to slow
		125-130	No function
		131-249	Right to left,slow to fast
		250-255	No function
23	Beams 1&2	000-002	Snap from cell to cell Fade duration:short to long
	FX crossfade (see Pixel Mapping)	003-255	
24	Control*	000-005	No function
		006-010	Off (dimmer mode)
		011-015	Dimmer 1
		016-020	Dimmer 2
		021-025	Dimmer 3
		026-030	600 Hz
		031-035	1200 Hz
		036-040	2000 Hz
041-045	4000 Hz		

		046-050	6000 Hz
		051-055	25 KHz
		056-060	Fan mode auto
		060-065	Fan mode on
		066-070	Tilt reset
		071-075	Plate 1 invert off
		076-080	Plate 1 invert on
		081-085	Plate 2 invert off
		086-090	Plate 2 invert on
		091-095	Beam 1 invert off
		096-100	Beam 1 invert on
		101-105	Beam 2 invert off
		106-110	Beam 2 invert on
		111-115	Plate swap on
		116-120	Plate swap off
		121-125	Beam swap on
		126-130	Beam swap off
		131-255	No function

## DMX 512 13CHs

CH	Function	Value	Percent/Setting
1	Tilt	000-255	0-100%
2	Fine tilt	000-255	0-100%
3	Plate dimmer	000-255	0-100%
4	Beam dimmer	000-255	0-100%
5	Plate flash duration	000-009	Classic shutter mode:disables duration control
		010-250	Slow to fast
		251-255	100% On,no flash/strobe
6	Plate flash rate	000-009	100%
		010-250	Slow to fast
		251-255	100%
7	Beam flash duration	000-009	Classic shutter mode:disables duration control
		010-250	Slow to fast
		251-255	100% On,no flash/strobe
8	Beam flash rate	000-009	100%
		010-250	Slow to fast
		251-255	100%
9	Plates red	000-255	0-100%

10	Plates green	000-255	0-100%
11	Plates blue	000-255	0-100%
12	Beam FX	000-005	No function
		006-042	Ramp up
		043-085	Ramp down
		086-128	Ramp up-down
		129-171	Random
		172-214	Lightning
		215-255	Spikes
13	Control*	000-005	No function
		006-010	Off (dimmer mode)
		011-015	Dimmer 1
		016-020	Dimmer 2
		021-025	Dimmer 3
		026-030	600 Hz
		031-035	1200 Hz
		036-040	2000 Hz
		041-045	4000 Hz
		046-050	6000 Hz
		051-055	25 KHz
		056-060	Fan mode auto
066-070	Tilt reset		
071-075	Plate 1 invert off		
076-080	Plate 1 invert on		
081-085	Plate 2 invert off		
086-090	Plate 2 invert on		
091-095	Beam 1 invert off		
096-100	Beam 1 invert on		
101-105	Beam 2 invert off		
106-110	Beam 2 invert on		
111-115	Plate swap on		
116-120	Plate swap off		
121-125	Beam swap on		
126-130	Beam swap off		
131-255	No function		

## DMX 512 11CHs

CH	Function	Value	Percent/Setting
1	Tilt	000-255	0-100%
2	Fine tilt	000-255	0-100%
3	Dimmer	000-255	0-100%

4	Plate flash duration	000-009	Classic shutter mode:disables duration control
		010-250	Slow to fast
		251-255	100% On,no flash/strobe
5	Plate flash rate	000-009	100%
		010-250	Slow to fast
		251-255	100%
6	Beam flash duration	000-009	Classic shutter mode:disables duration control
		010-250	Slow to fast
		251-255	100% On,no flash/strobe
7	Beam flash rate	000-009	100%
		010-250	Slow to fast
		251-255	100%
8	Plates red	000-255	0-100%
9	Plates green	000-255	0-100%
10	Plates blue	000-255	0-100%
11	Beam	000-255	0-100%

## DMX 512 8CHs

CH	Function	Value	Percent/Setting
1	Tilt	000-255	0-100%
2	Fine tilt	000-255	0-100%
3	Dimmer	000-255	0-100%
4	Strobe	000-009	Open
		010-079	Strobe,slow to fast
		080-149	Pulse,slow to fast
		150-219	Random Strobe,slow to fast
		220-255	Open
5	Red	000-255	0-100%
6	Green	000-255	0-100%
7	Blue	000-255	0-100%
8	Beam	000-255	0-100%

## Trouble Shooting

Following are a few common problems that may occur during operation. Here are some suggestions for easy troubleshooting:

**a. The unit does not work, no light and the fan does not work**

1. Check the connection of power and main fuse.
2. Measure the mains voltage on the main connector.
3. Check the power on LED.

**b. Not responding to DMX controller**

1. DMX LED should be on. If not, check DMX connectors, cables to see if link properly.
2. If the DMX LED is on and no response to the channel, check the address settings and DMX polarity.
3. If you have intermittent DMX signal problems, check the pins on connectors or on PCB of the unit or the previous one.
4. Try to use another DMX controller.
5. Check if the DMX cables run near or run alongside to high voltage cables that may cause damage or interference to DMX interface circuit.

**Fixture Cleaning**

The cleaning of internal and external optical lenses and/or mirrors must be carried out periodically to optimize light output. Cleaning frequency depends on the environment in which the fixture operates: damp, smoky or particularly dirty surrounding can cause greater accumulation of dirt on the unit's optics.

- Clean with soft cloth using normal glass cleaning fluid.
- Always dry the parts carefully.
- Clean the external optics at least every 20 days. Clean the internal optics at least every 30/60 days.

**REMARK**

The product has perfect performance and integrity packing. All users should be strictly comply with the warning and operating instructions as stated.

Or we aren't in charge of any result by misusing.

Any damage resulting by misuse is not within the Company's warranty.

Any fault or problem caused by neglecting the manual is also not in the charge of dealers.

Errors and omissions for every information given in this manual excepted.

All information is subject to change without prior notice.