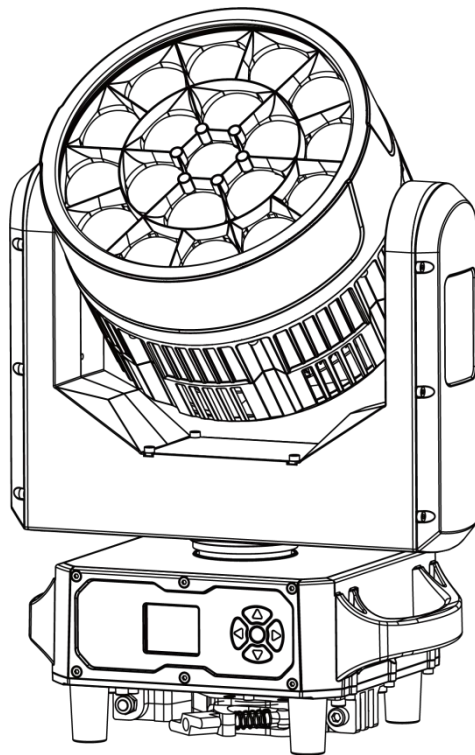


Mini B-EYE K15 IP

User Manual



Guangzhou Mitek Light Co.,LTD

Email: info@miteklight.com

Website: www.miteklight.com

Add: No. 21 Dongfeng Avenue, Automobile Industry Base, Huadu District, Guangzhou

TECHNICAL PARAMETERS

Light source

Light Source: 19*40W 4 in 1 RGBW LED

LED Lifetime:≥ 50000H

Power Voltage: AC100-240V , 50-60Hz

Power Consumption: 650W

Optical

Beam Angle: 3.5°-48°

Controls

Control Modes: DMX512、Auto、Sound、Master、Manual、RDM、ArtNet(Optional)

DMX Channel: 21/ 23/ 35/ 78/ 92/ 97/ 99/76(DMX+ArtNet) Channel

Display: TFT 1.8inch Display

Construction

Data In/Out Socket: IP65 3-pin XLR sockets

Power Socket: IP65 Power-Con in/ out

Housing Material : Die casting + flame retardant black carbon fiber

Pan: 540°accuracy 2.11°/step, fine-tuning accuracy: 0.008°

Tilt: 270°accuracy 0.86°/step, fine-tuning accuracy: 0.0034°

Pan/Tilt Resolution: Automatically correct pan/tilt position

MAX. Connection: 5 units (240V, 50Hz) 2.5mm² power cable

3 units (100V, 60Hz) 2.5mm² power cable

Protection Rating : IP65

Weight&Dimension

Dimension: 341*250*463mm

Net Weight: 14kg

Carton Package: 58*37*45cm(1in1)

GW: 17kg

Flight Case: 83*74*67cm(4in1)

GW: 96kg

Features

Full light range dimming, 65536-level dimming accuracy. fast strobe 1-25Hz.LED single control; three-in-one effects of WASH, Beam, and Bee Eye; Preset multiple color macro functions; preset multiple effect macro functions

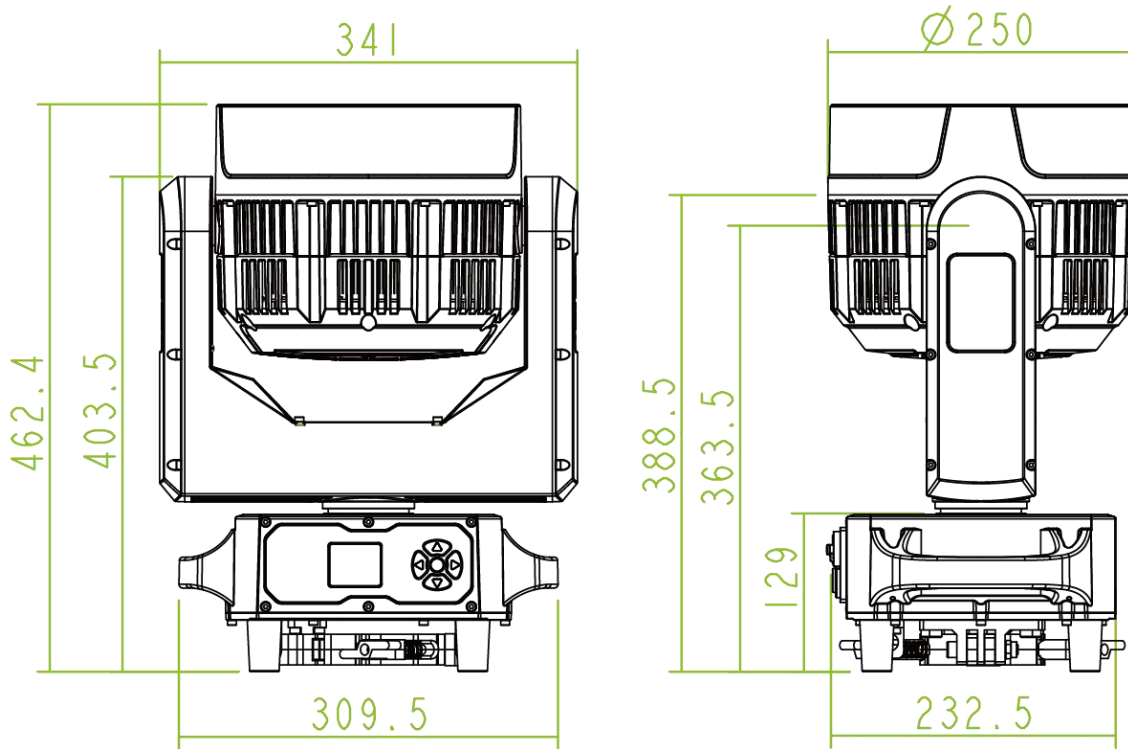
Configuration

Signal cable 1pc

Power cable 1pc

Manual 1pc

SIZE DRAWING



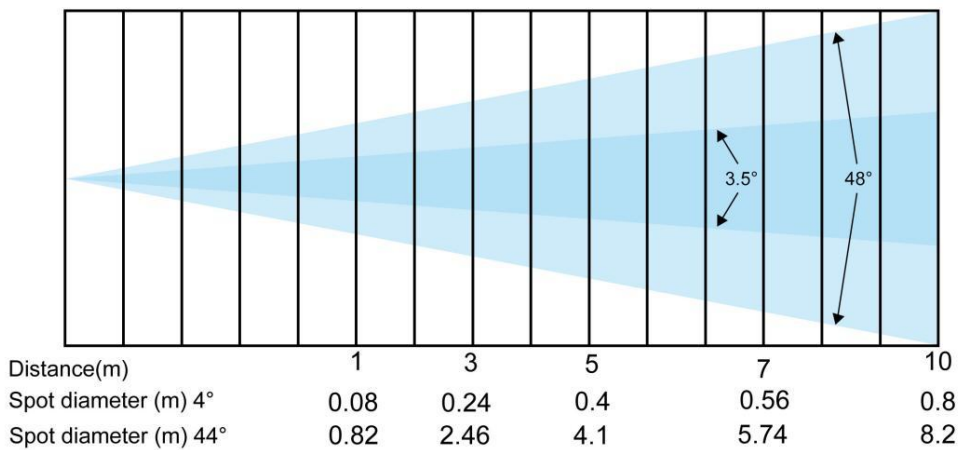
LUX Date

Beam Angle = 3.5°

R lux	81000	9000	3240	1653	810
G lux	170750	18972	6830	3485	1708
B lux	29750	3306	1190	607	298
W lux	216250	24028	8650	4413	2163
4in1 lux	452500	50278	18100	9235	4525

Beam Angle = 48°

R lux	3425	381	137	69.9	34.3
G lux	6925	769	277	141	69.3
B lux	1308	145	52.3	26.7	13.1
W lux	8475	942	339	173	84.8
4in1 lux	18100	2011	724	369	181



Thank you for choosing our LED lights. Each facility has been rigorously tested. Please check whether the facility has been damaged during transportation. If you find any parts are missing or broken, please contact the manufacturer immediately. Please do not return the product without any notice!

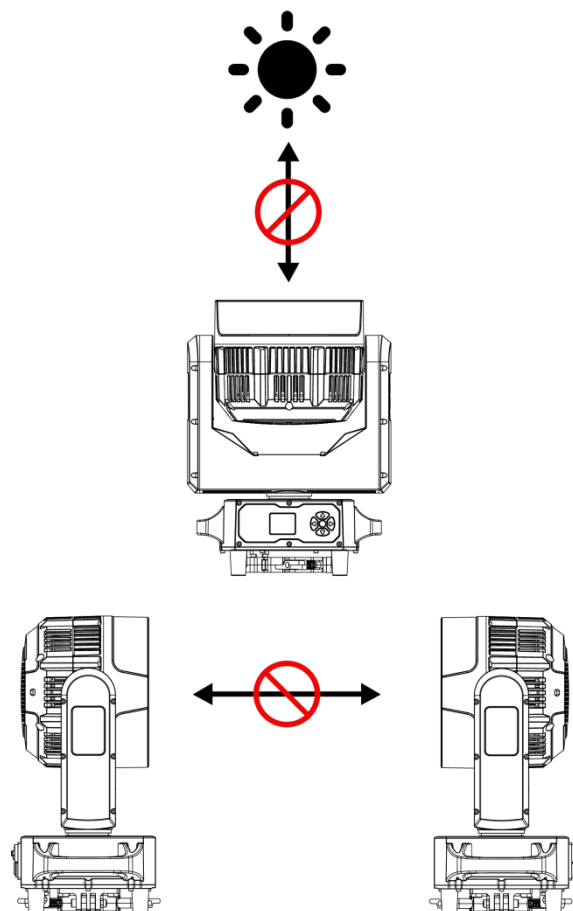
1.Safety Instructions



Please read this manual carefully, which includes important information on installation,use and maintenance.

Attention

- Please keep this USER MANUAL for future consultation. If you sell the facility to another user, be sure that they also receive this USER MANUAL.
- Please open and check in details and make sure there is no transportation damage.
- Before operating, ensure that the voltage and frequency of power supply match the power requirements of the facility.
- It's important to ground the yellow/green conductor to earth in order to avoid electric shock.
- The facility must be installed in a location with adequate ventilation, at least 50 cm from adjacent surfaces. Be sure that no ventilation slots are blocked.
- Make sure the power is disconnected before removing the facility.
- Make sure there are no flammable materials close to the unit while operating as it is fire hazard.
- Use safety cable when fixes this facility. Do not handle the facility by taking its head only, but always by taking its base.
- Maximum ambient temperature is 40°C. Do not operate it where the temperature is higher than this.
- Please stop using the facility for serious operating problems. Stop using the facility immediately. Never try to repair the facility by yourself, but be a professional technician. Please contact the supplier's service department for technical support.
- Do not touch any wire during operation as high voltage might be causing electric shock.
- When the housing or lens is damaged, it must be replaced.
- Direct sunlight or any other strong light source penetrating the lens of the light will cause serious internal damage to the facility. During unpacking, installation, use and long-term outdoor idleness, it is forbidden to expose the lens of the facility to direct sunlight or any other strong light source at any angle. It is forbidden to aim the beam of one light directly at another light.



Caution

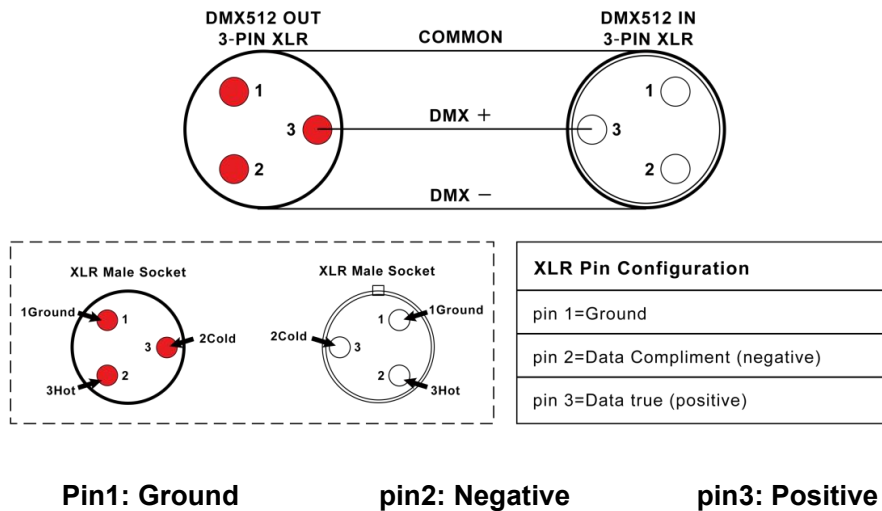
There are no accessories available, do not open the housing and try to repair the facilities yourself. Please contact our company for after service.

Installation

The unit should be mounted via its screw holes on the bracket. Always ensure that the unit is firmly fixed to avoid vibration and slipping while operating. And make sure that the structure to which you are attaching the unit is secure and is able to support a weight of 10 times of the unit's weight. Also always use a safety cable that can hold 12 times of the weight of the unit when installing the fixture.

The facility must be installed by professionals, and keep it far away from fire, walking road, and easy touched place.

DMX Set Up



DMX Connection

To ensure optimal transmission of DMX data, please connect facilities in the shortest way. The connection order won't affect the DMX address code. For example, if the address code is set to 1, no matter where the facility is connected, its address code will not change. This is determined by the principle of the DMX controller.

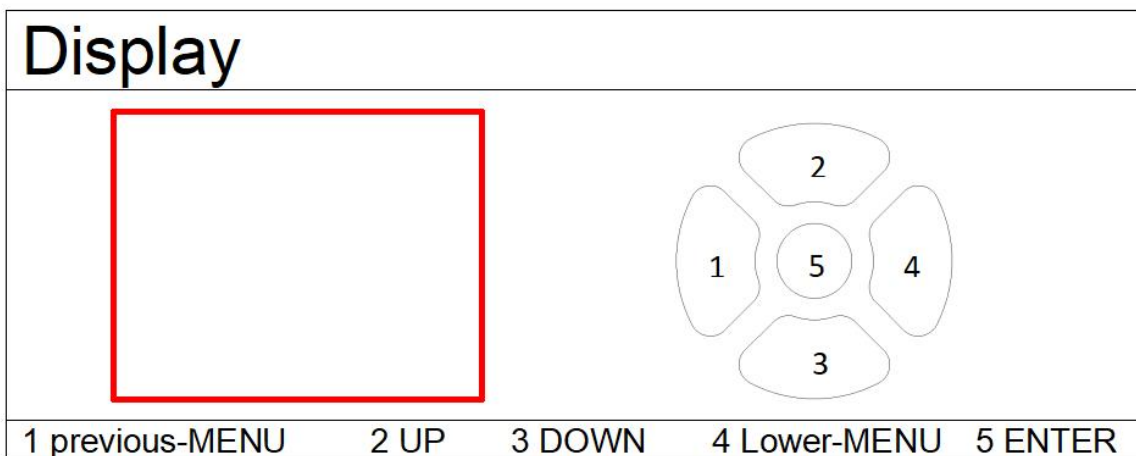
Operation method

You can operate in the following three modes:

- Auto mode - the light can automatically complete all color changes
- MX control mode - each light can be individually controlled by a standard DMX512 console
- Master mode - any light can work as a host in any of the above modes, and the other lights will work synchronously as slaves

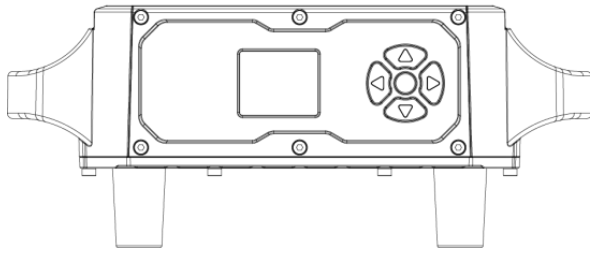
Display

There are Five buttons on the LED panel: MENU, UP, DOWN, and ENTER.

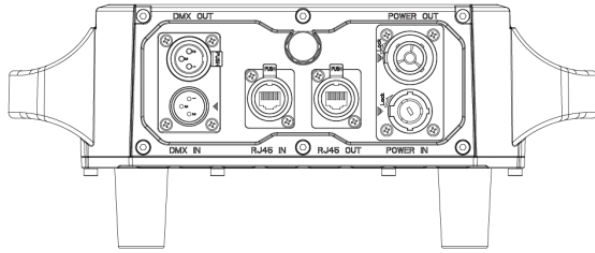


Please press the "MENU" to exit or return to the previous menu, press "UP" or "DOWN" to select the upper and lower menus or adjust the values, and press "ENTER" to confirm.

FRONT VIEW



REAR VIEW



After powering on, the facility will automatically return to the last operation when it was powered off, then get into standby status. For more details, please refer to the information below↓

Menu

1-MENU 2-UP 3-DOWN 4-ENTER				
Menu	1.Pan Degree	1.540 2.360	Pan running angle selection	
	2.Mic Sense	001--100	Sound sensitivity	
	3.Language	1.English 2.Chinese	Select Display Language	
	4.No Signal	1.BlackOut 2.Hold		
	5.Fan Set	1.Auto 2.Low 3.High		
	6.ArtNet Set	1.ArtNet Enable: 1.ON 2.OFF		when ArtNet function is available
		2.Universe:0--255		
		3.IP Mode: A.2.X.X.X Auto B.10.X.X.X Auto C.Custom		
		4.Custom IP:192.168.000.001		
		5.SubNetMask: 255.000.000.000		
7.Reset	1.Yes		Reset	
	2.No			
8.Default	1.Yes		Factory setting	
	2.No			
9.Adjust	Pass Word: up+down+up+down		Change the value of Pan/Tilt/Focus/Rota to correct the angle; change the value of R/G/B/W to adjust the white balance.	
	1.Pan: 0--255			
	2.Tilt: 0--255			
	3.Focus: 0--255			
	4.Rota: 0--255			
	5.Red: 0--255			
	6.Greed: 0--255			
	7.Blue: 0--255			
8.White: 0--255				
Addr	001--512		Setting the address from 001-512	
Rever	1.Pan Invert	1.YES 2.NO	Pan Font Forward and Reverse Switching	
	2.Tilt Invert	1.YES 2.NO	Tilt Font Forward and Reverse Switching	

	3.Display Invert	1.YES 2.NO	Display Font Forward and Reverse Switching	
Inform	1.CH Value		Shown all channel information	
	2.Tem**°C		Show the temperature of LED board	
	3.Version:**		Program version number	
	4.IP:** * * * * *		With ArtNet	
	3.Kask:** * * * * *)		With ArtNet	
Mode	1.DMX512		Setting control mode	
	2.Auto			
	3.Sound			
	4.Manual		Master/Alone	Master/Alone
			1.Pan: 0--255	Manual control
			2.Tilt: 0--255	
			3.Focus: 0--255	
			4.Rota: 0--255	
			5.Red1: 0--255	
			6.Greed1: 0--255	
		7.Blue1: 0--255		
	8.White1: 0--255			
	9.Strobe1: 0-255			
Channel	1.21CH	1.21Channels	Select channel mode	
	2.23CH	2.23Channels	Select channel mode	
	3.35CH	3.35Channels	Select channel mode	
	4.78CH	4.78Channels	Select channel mode	

DMX Channel List

► 21CH Mode

CH	Function	DMX Value	Description
1	Red	0-255	Red dimming
2	Red adjustment	0-255	Red adjustment
3	Green	0-255	Green dimming
4	Green adjustment	0-255	Green adjustment
5	Blue	0-255	Blue dimming
6	Blue adjustment	0-255	Blue dimming
7	White	0-255	White dimming
8	White adjustment	0-255	White adjustment
9	Color temperature	0-15	No function
		16-35	R100%, G UP, B0%

CH	Function	DMX Value	Description
		36-55	R DOWN, G100%, B0%
		56-75	R0%, G100%, B UP
		76-95	R0%, G DOWN, B100%
		96-115	R UP, G0%, B100%
		116-135	R100%, G0%, B DOWN
		136-155	R100%, G UP, B UP
		156-175	R DOWN, G DOWN, B 100%
		176-195	R100%, G100%, B100%, W100%
		196-200	2800K
		201-205	3200K
		206-210	3500K
		211-215	4000K
		216-220	4500K
		221-225	5000K
		226-230	5500K
		231-235	6000K
		236-240	6500K
		241-245	7000K
		246-250	7500K
		251-255	8000K
10	Macro color	0-9	No function
		10-19	Macro color 1
		20-29	Macro color 2
	 (10 numbers 1 macro color)
		240-249	Macro color 24
		250-255	Macro color 25
11	Strobe	0-3	Strobe dimming
		4-203	Synchronous strobe speed from slow to fast (1Hz-25Hz)
		204-255	Random strobe
12	Dimmer	0-255	From dark to bright
13	Dimmer adjust	0-255	Dimmer adjustment control
14	Pan	0-255	Pan control
15	Pan adjustment	0-255	Pan adjustment control
16	Tilt	0-255	Tilt control
17	Tilt adjustment	0-255	Tilt adjustment control
18	Dimming Mode	0-49	Linear dimming
		50-99	Square rate dimming
		100-149	Inverse square rate dimming

CH	Function	DMX Value	Description
		150-255	S-curve dimming
19	Reset	0-137	No function
		138-149	PWM output frequency 1K-64K (Within 3 seconds) 1K, 2K, 4K, 6K, 8K, 10K, 16K, 20K, 24K, 32K, 48K, 64K
		150-159	Fast dimming
		160-169	Slow dimming (from fast to slow)
		170-250	No function
		251-255	Reset within 3s
20	Zoom	0-255	From narrow to wide
21	Lens rotation	0-155	0~60°
		156-205	Clockwise infinite rotation
		206-255	Counterclockwise infinite rotation

► 23CH Mode

CH	Function	DMX Value	Description
1	Pan	0-255	0-540°
2	Pan adjustment	0-255	16 bit adjustment
3	Tilt	0-255	0-205°
4	Tilt adjustment	0-255	16 bit adjustment
5	Pan/Tilt speed	0-255	Speed from fast to slow
6	Zoom	0-255	From narrow to wide
7	Lens rotation	0-155	0~60°
		156-205	Clockwise infinite rotation from fast to slow
		206-255	Counterclockwise infinite rotation from slow to fast
8	Dimmer	0 - 255	From dark to bright
9	Strobe	0-3	Strobe dimming
		4-203	Synchronous strobe speed from slow to fast (1Hz-25Hz)
		204-255	Random strobe
10	R dimming	0-255	From dark to bright
11	G dimming	0-255	From dark to bright
12	B dimming	0-255	From dark to bright
13	W dimming	0-255	From dark to bright
14	Color temperature	0 - 15	No function
		16-35	R100%, G UP, B0%
		36-55	R DOWN, G100%, B0%

CH	Function	DMX Value	Description
		56-75	R0%, G100%, B UP
		76-95	R0%, G DOWN, B100%
		96-115	R UP, G0%, B100%
		116-135	R100%, G0%, BDOWN
		136-155	R100%, G UP, B UP
		156-175	R DOWN, G DOWN, B100%
		176-195	R100%, G100%, B100%, W100%
		196-200	2800K
		201-205	3200K
		206-210	3500K
		211-215	4000K
		216-220	4500K
		221-225	5000K
		226-230	5500K
		231-235	6000K
		236-240	6500K
		241-245	7000K
		246-250	7500K
		251-255	8000K
15	Macro color	0-9	No function
		10-19	Macro color 1
		20-29	Macro color 2
	(10 numbers 1 macro color)
		240-249	Macro color 24
		250-255	Macro color 25
16	Static pattern	0-9	No function
		10-12	Monochrome pattern 1
		13-15	Monochrome pattern 2
	(3 numbers 1 pattern)
		208-210	Monochrome pattern 67
		211-213	Mixed color pattern 1
		214-216	Mixed color pattern 2
	(3 numbers 1 pattern)
		250-252	Mixed color pattern 14
		253-255	Mixed color pattern 15
17	Dynamic pattern	0-9	No function
		10-12	Monochrome dynamic pattern 1
		13-15	Monochrome dynamic pattern 2

CH	Function	DMX Value	Description
	(3 numbers 1 pattern)
		155-159	Monochrome dynamic pattern 39
		127-129	Monochrome dynamic pattern 40
		130-132	Mixed color dynamic pattern 1
		133-185	Mixed color dynamic pattern 2
	(3 numbers 1 pattern)
		181-183	Mixed color dynamic pattern 18
		184-186	Mixed color dynamic pattern 19
		187-255	Save
18	Dynamic pattern speed(with 17CH)	0-127	Clockwise ,from fast to slow
		128-255	Counterclockwise, from slow to fast
19	Background R	0-255	From dark to bright
20	Background G	0-255	From dark to bright
21	Background B	0-255	From dark to bright
22	Background W	0-255	From dark to bright
23	Reset	0-137	No function
		138-149	PWM output frequency 1K-64K (Within 3 seconds) 1K, 2K, 4K, 6K, 8K, 10K, 16K, 20K, 24K, 32K, 48K, 64K
		150-159	Fast dimming
		160-169	Slow dimming (from fast to slow)
		170-250	No function
		251-255	Reset within 3s

► 35CH Mode

CH	Function	DMX Value	Description
1	Red	0-255	Red dimming
2	Red adjustment	0-255	Red adjustment
3	Green	0-255	Green dimming
4	Green adjustment	0-255	Green adjustment
5	Blue	0-255	Blue dimming
6	Blue adjustment	0-255	Blue dimming
7	White	0-255	White dimming
8	White adjustment	0-255	White adjustment
9	Color temperature	0-15	No function
		16-35	R100%, G UP, B0%
		36-55	R DOWN, G100%, B0%
		56-75	R0%, G100%, B UP
		76-95	R0%, G DOWN, B100%

CH	Function	DMX Value	Description
		96-115	R UP, G0%, B100%
		116-135	R100%, G0%, B DOWN
		136-155	R100%, G UP, B UP
		156-175	R DOWN, G DOWN, B 100%
		176-195	R100%, G100%, B100%, W100%
		196-200	2800K
		201-205	3200K
		206-210	3500K
		211-215	4000K
		216-220	4500K
		221-225	5000K
		226-230	5500K
		231-235	6000K
		236-240	6500K
		241-245	7000K
		246-250	7500K
251-255	8000K		
10	Macro color	0-9	No function
		10-19	Macro color 1
		20-29	Macro color 2
	(10 numbers 1 macro color)
		240-249	Macro color 24
		250-255	Macro color 25
11	Strobe	0-3	Strobe dimming
		4-203	Synchronous strobe speed from slow to fast (1Hz-25Hz)
		204-255	Random strobe
12	Dimmer	0-255	From dark to bright
13	Dimmer adjust	0-255	Dimmer adjustment control
14	Pan	0-255	Pan control
15	Pan adjustment	0-255	Pan adjustment control
16	Tilt	0-255	Tilt control
17	Tilt adjustment	0-255	Tilt adjustment control
18	Dimming Mode	0-49	Linear dimming
		50-99	Square rate dimming
		100-149	Inverse square rate dimming
		150-255	S-curve dimming
19	Reset	0-137	No function
		138-149	PWM output frequency 1K-64K (Within 3 seconds) 1K, 2K, 4K, 6K, 8K, 10K, 16K, 20K, 24K, 32K, 48K, 64K

CH	Function	DMX Value	Description
		150-159	Fast dimming
		160-169	Slow dimming (from fast to slow)
		170-250	No function
		251-255	Reset within 3s
20	Zoom	0-255	From narrow to wide
21	Lens rotation	0-155	0~60°
		156-205	Clockwise infinite rotation
		206-255	Counterclockwise infinite rotation
22	Pattern rotation	0-9	No function
		10-12	Monochrome dynamic pattern 1
		13-15	Monochrome dynamic pattern 2
	(3 numbers 1 pattern)
		155-159	Monochrome dynamic pattern 39
		127-129	Monochrome dynamic pattern 40
		130-132	Mixed color dynamic pattern 1
		133-185	Mixed color dynamic pattern 2
	(3 numbers 1 macro color)
		181-183	Mixed color dynamic pattern 18
		184-186	Mixed color dynamic pattern 19
		187-255	Save
23	Pattern effect speed(with 22 CH)	0-9	No function
		10-132	Clockwise ,from fast to slow
		133-255	Counterclockwise, from slow to fast
24	Pattern fade	0-9	No function
		10-132	Slow Light to Slow Dark
		133-255	Sudden Light to Slow Dark
25	Pattern Background R	0-255	Pattern effect R
26	Pattern Background G	0-255	Pattern effect G
27	Pattern Background B	0-255	Pattern effect B
28	Pattern Background W	0-255	Pattern effect W
29	Pattern dimming	0-255	Pattern 0-100% dimming
30	Background dimming	0-255	Background 0-100% dimming
31	Pattern change	0-255	Pattern change control
32	Pattern movement	0-255	Pattern movement(with 22 CH)
33	Prospects strobe	0-255	Prospects strobe
34	Background strobe	0-255	Background strobe
35	Background pattern selection	0-255	Background selection

► 78CH Mode

CH	Function	DMX Value	Description
1	Red	0-255	Red dimming
2	Red adjustment	0-255	Red adjustment
3	Green	0-255	Green dimming
4	Green adjustment	0-255	Green adjustment
5	Blue	0-255	Blue dimming
6	Blue adjustment	0-255	Blue dimming
7	White	0-255	White dimming
8	White adjustment	0-255	White adjustment
9	Color temperature	0-15	No function
		16-35	R100%,G UP,B0%
		36-55	R DOWN,G100%,B0%
		56-75	R0%,G100%,B UP
		76-95	R0%,G DOWN,B100%
		96-115	R UP,G0%,B100%
		116-135	R100%,G0%,B DOWN
		136-155	R100%,G UP,B UP
		156-175	R DOWN,G DOWN, B 100%
		176-195	R100%G100%B100%W100%
		196-200	2800K
		201-205	3200K
		206-210	3500K
		211-215	4000K
		216-220	4500K
		221-225	5000K
		226-230	5500K
		231-235	6000K
		236-240	6500K
241-245	7000K		
246-250	7500K		
251-255	8000K		
10	Macro color	0-9	No function
		10-19	Macro color 1
		20-29	Macro color 2
	(10 numbers 1 macro color)
		240-249	Macro color 24
		250-255	Macro color 25
11	Strobe	0-3	Strobe dimming
		4-203	Synchronous strobe speed from slow to fast (1Hz-25Hz)

CH	Function	DMX Value	Description
		204-255	Random strobe
12	Dimmer	0-255	From dark to bright
13	Dimmer adjust	0-255	Dimmer adjustment control
14	Pan	0-255	Pan control
15	Pan adjustment	0-255	Pan adjustment control
16	Tilt	0-255	Tilt control
17	Tilt adjustment	0-255	Tilt adjustment control
18	Dimming Mode	0-49	Linear dimming
		50-99	Square rate dimming
		100-149	Inverse square rate dimming
		150-255	S-curve dimming
19	Reset	0-137	No function
		138-149	PWM output frequency 1K-64K (Within 3 seconds) 1K, 2K, 4K, 6K, 8K, 10K, 16K, 20K, 24K, 32K, 48K, 64K
		150-159	Fast dimming
		160-169	Slow dimming (from fast to slow)
		170-250	No function
		251-255	Reset within 3s
20	Zoom	0-255	From narrow to wide
21	Lens rotation	0-155	0~60°
		156-205	Clockwise infinite rotation
		206-255	Counterclockwise infinite rotation
22	R1 LED dimming	0-255	R1 LED dimming
23	G1 LED dimming	0-255	G1 LED dimming
24	B1 LED dimming	0-255	B1 LED dimming
25	R2 LED dimming	0-255	R2 LED dimming
26	G2 LED dimming	0-255	G2 LED dimming
27	B2 LED dimming	0-255	B2 LED dimming
.....
76	R19 LED dimming	0-255	R19 LED dimming
77	G19 LED dimming	0-255	G19 LED dimming
78	B19 LED dimming	0-255	B19 LED dimming

► 92CH Mode

CH	Function	DMX Value	Description
1	Red	0-255	Red dimming
2	Red adjustment	0-255	Red adjustment
3	Green	0-255	Green dimming

CH	Function	DMX Value	Description
4	Green adjustment	0-255	Green adjustment
5	Blue	0-255	Blue dimming
6	Blue adjustment	0-255	Blue dimming
7	White	0-255	White dimming
8	White adjustment	0-255	White adjustment
9	Color temperature	0-15	No function
		16-35	R100%,G UP,B0%
		36-55	R DOWN,G100%,B0%
		56-75	R0%,G100%,B UP
		76-95	R0%,G DOWN,B100%
		96-115	R UP,G0%,B100%
		116-135	R100%,G0%,B DOWN
		136-155	R100%,G UP,B UP
		156-175	R DOWN,G DOWN, B 100%
		176-195	R100%G100%B100%W100%
		196-200	2800K
		201-205	3200K
		206-210	3500K
		211-215	4000K
		216-220	4500K
		221-225	5000K
		226-230	5500K
231-235	6000K		
236-240	6500K		
241-245	7000K		
246-250	7500K		
251-255	8000K		
10	Macro color	0-9	No function
		10-19	Macro color 1
		20-29	Macro color 2
	(10 numbers 1 macro color)
		240-249	Macro color 24
		250-255	Macro color 25
11	Strobe	0-3	Strobe dimming
		4-203	Synchronous strobe speed from slow to fast (1Hz-25Hz)
		204-255	Random strobe
12	Dimmer	0-255	From dark to bright
13	Dimmer adjust	0-255	Dimmer adjustment control
14	Pan	0-255	Pan control

CH	Function	DMX Value	Description
15	Pan adjustment	0-255	Pan adjustment control
16	Tilt	0-255	Tilt control
17	Tilt adjustment	0-255	Tilt adjustment control
18	Dimming Mode	0-49	Linear dimming
		50-99	Square rate dimming
		100-149	Inverse square rate dimming
		150-255	S-curve dimming
19	Reset	0-137	No function
		138-149	PWM output frequency 1K-64K (Within 3 seconds) 1K, 2K, 4K, 6K, 8K, 10K, 16K, 20K, 24K, 32K, 48K, 64K
		150-159	Fast dimming
		160-169	Slow dimming (from fast to slow)
		170-250	No function
		251-255	Reset within 3s
20	Zoom	0-255	From narrow to wide
21	Lens rotation	0-155	0~60°
		156-205	Clockwise infinite rotation
		206-255	Counterclockwise infinite rotation
22	Pattern rotation	0-9	No function
		10-12	Monochrome dynamic pattern 1
		13-15	Monochrome dynamic pattern 2
	(3 numbers 1 pattern)
		155-159	Monochrome dynamic pattern 39
		127-129	Monochrome dynamic pattern 40
		130-132	Mixed color dynamic pattern 1
		133-185	Mixed color dynamic pattern 2
	(3 numbers 1 macro color)
		181-183	Mixed color dynamic pattern 18
		184-186	Mixed color dynamic pattern 19
		187-255	Save
23	Pattern effect speed (with 22CH)	0-9	No function
		10-132	Clockwise ,from fast to slow
		133-255	Counterclockwise, from slow to fast
24	Pattern fade	0-9	No function
		10-132	Slow Light to Slow Dark
		133-255	Sudden Light to Slow Dark
25	Pattern Background R	0-255	Pattern effect R
26	Pattern Background G	0-255	Pattern effect G
27	Pattern Background B	0-255	Pattern effect B

CH	Function	DMX Value	Description
28	Pattern Background W	0-255	Pattern effect W
29	Pattern dimming	0-255	Pattern 0-100% dimming
30	Background dimming	0-255	Background 0-100% dimming
31	Pattern change	0-255	Pattern change control
32	Pattern movement	0-255	Pattern movement(with 22CH)
33	Prospects strobe	0-255	Prospects strobe
34	Background strobe	0-255	Background strobe
35	Background pattern selection	0-255	Background selection
36	LED1 R dimming	0-255	LED1 R dimming
37	LED1 G dimming	0-255	LED1 G dimming
38	LED1 B dimming	0-255	LED1 B dimming
.....
90	LED 19 R dimming	0-255	LED 19 R dimming
91	LED 19 G dimming	0-255	LED 19 G dimming
92	LED 19 B dimming	0-255	LED 19 B dimming

► 97CH Mode

CH	Function	DMX Value	Description
1	Red	0-255	Red dimming
2	Red adjustment	0-255	Red adjustment
3	Green	0-255	Green dimming
4	Green adjustment	0-255	Green adjustment
5	Blue	0-255	Blue dimming
6	Blue adjustment	0-255	Blue dimming
7	White	0-255	White dimming
8	White adjustment	0-255	White adjustment
9	Color temperature	0-15	No function
		16-35	R100%, G UP, B0%
		36-55	R DOWN, G100% ,B0%
		56-75	R0%, G100%, B UP
		76-95	R0%, G DOWN, B100%
		96-115	R UP, G0%, B100%
		116-135	R100%, G0%, B DOWN
		136-155	R100%, G UP, B UP
		156-175	R DOWN, G DOWN, B 100%
		176-195	R100%, G100%, B100%, W100%
		196-200	2800K
		201-205	3200K

CH	Function	DMX Value	Description
		206-210	3500K
		211-215	4000K
		216-220	4500K
		221-225	5000K
		226-230	5500K
		231-235	6000K
		236-240	6500K
		241-245	7000K
		246-250	7500K
		251-255	8000K
10	Macro color	0-9	No function
		10-19	Macro color 1
		20-29	Macro color 2
	(10 numbers 1 macro color)
		240-249	Macro color 24
		250-255	Macro color 25
11	Strobe	0-3	Strobe dimming
		4-203	Synchronous strobe speed from slow to fast (1Hz-25Hz)
		204-255	Random strobe
12	Dimmer	0-255	From dark to bright
13	Dimmer adjust	0-255	Dimmer adjustment control
14	Pan	0-255	Pan control
15	Pan adjustment	0-255	Pan adjustment control
16	Tilt	0-255	Tilt control
17	Tilt adjustment	0-255	Tilt adjustment control
18	Dimming Mode	0-49	Mode -1
		50-99	Mode -2
		100-149	Mode -3
		150-255	Mode -4
19	Reset	0-137	No function
		138-149	PWM output frequency 1K-64K (Within 3 seconds) 1K, 2K, 4K, 6K, 8K, 10K, 16K, 20K, 24K, 32K, 48K, 64K
		150-159	Fast dimming
		160-169	Slow dimming (from fast to slow)
		170-250	No function
		251-255	Reset within 3s
20	Zoom	0-255	From narrow to wide
21	Lens rotation	0-155	0~60°
		156-205	Clockwise infinite rotation

CH	Function	DMX Value	Description
		206-255	Counterclockwise infinite rotation
22	R1 LED dimming	0-255	R1 LED dimming
23	G1 LED dimming	0-255	G1 LED dimming
24	B1 LED dimming	0-255	B1 LED dimming
25	W1 LED dimming	0-255	W1 LED dimming
.....
94	R19 LED dimming	0-255	R19 LED dimming
95	G19LED dimming	0-255	G19 LED dimming
96	B19LED dimming	0-255	B19 LED dimming
97	W19LED dimming	0-255	W19 LED dimming

► 99CH Mode

CH	Function	DMX Value	Description
1	Pan	0-255	0-540°
2	Pan adjustment	0-255	16 bit adjustment
3	Tilt	0-255	0-205°
4	Tilt adjustment	0-255	16 bit adjustment
5	Pan&Tilt speed	0-255	Speed from fast to slow
6	Zoom	0-255	From narrow to wide
7	Lens rotation	0-155	0~60°
		156-205	Clockwise infinite rotation from fast to slow
		206-255	Counterclockwise rotation from slow to fast
8	Dimmer	0-255	From dark to bright
9	Strobe	0-3	Strobe dimming
		4-203	Synchronous strobe speed from slow to fast (1Hz-25Hz)
		204-255	Random strobe
10	R dimming	0-255	From dark to bright
11	G dimming	0-255	From dark to bright
12	B dimming	0-255	From dark to bright
13	W dimming	0-255	From dark to bright
14	Color temperature	0-15	No function
		16-35	R100%, G UP, B0%
		36-55	R DOWN, G100%, B0%
		56-75	R0%, G100%, B UP
		76-95	R0%, G DOWN, B100%
		96-115	R UP, G0%, B100%
		116-135	R100%, G0%, B DOWN

CH	Function	DMX Value	Description
		136-155	R100%, G UP, B UP
		156-175	R DOWN, G DOWN, B100%
		176-195	R100%, G100%, B100%, W100%
		196-200	2800K
		201-205	3200K
		206-210	3500K
		211-215	4000K
		216-220	4500K
		221-225	5000K
		226-230	5500K
		231-235	6000K
		236-240	6500K
		241-245	7000K
		246-250	7500K
		251-255	8000K
15	Macro color	0-9	No function
		10-19	Macro color 1
		20-29	Macro color 2
	(10 numbers 1 macro color)
		240-249	Macro color 24
		250-255	Macro color 25
16	Static pattern	0-9	No function
		10-12	Monochrome pattern 1
		13-15	Monochrome pattern 2
	(3 numbers 1 pattern)
		208-210	Monochrome pattern 67
		211-213	Mixed color pattern 1
		214-216	Mixed color pattern 2
	(3 numbers 1 pattern)
		250-252	Mixed color pattern 14
		253-255	Mixed color pattern 15
17	Dynamic pattern	0-9	No function
		10-12	Monochrome dynamic pattern 1
		13-15	Monochrome dynamic pattern 2
	(3 numbers 1 pattern)
		155-159	Monochrome dynamic pattern 39
		127-129	Monochrome dynamic pattern 40
		130-132	Mixed color dynamic pattern 1
		133-185	Mixed color dynamic pattern 2

CH	Function	DMX Value	Description
	 (3 numbers 1 pattern)(3 numbers 1 pattern)
		181-183	Mixed color dynamic pattern 18
		184-186	Mixed color dynamic pattern 19
		187-255	Save
18	Dynamic pattern speed (with 17CH)	0-127	Clockwise ,from fast to slow
		128-255	Counterclockwise, from slow to fast
19	Background R	0-255	From dark to bright
20	Background G	0-255	From dark to bright
21	Background B	0-255	From dark to bright
22	Background W	0-255	From dark to bright
		0-137	No function
23	Reset	138-149	PWM output frequency 1K-64K (Within 3 seconds) 1K, 2K, 4K, 6K, 8K, 10K, 16K, 20K, 24K, 32K, 48K, 64K
		150-159	Fast dimming
		160-169	Slow dimming (from fast to slow)
		170-250	No function
		251-255	Reset within 3s
24	R1 LED dimmer	0-255	R1 LED dimming
25	G1LED dimmer	0-255	G1 LED dimming
26	B1 LED dimmer	0-255	B1 LED dimming
27	W1LED dimmer	0-255	W1 LED dimming
.....
96	R19 LED dimmer	0-255	R19 LED dimming
97	G19 LED dimmer	0-255	G19 LED dimming
98	B19 LED dimmer	0-255	B19 LED dimming
99	W19 LED dimmer	0-255	W19 LED dimming

► 76CH Mode(DMX512 + ArtNet Mode)

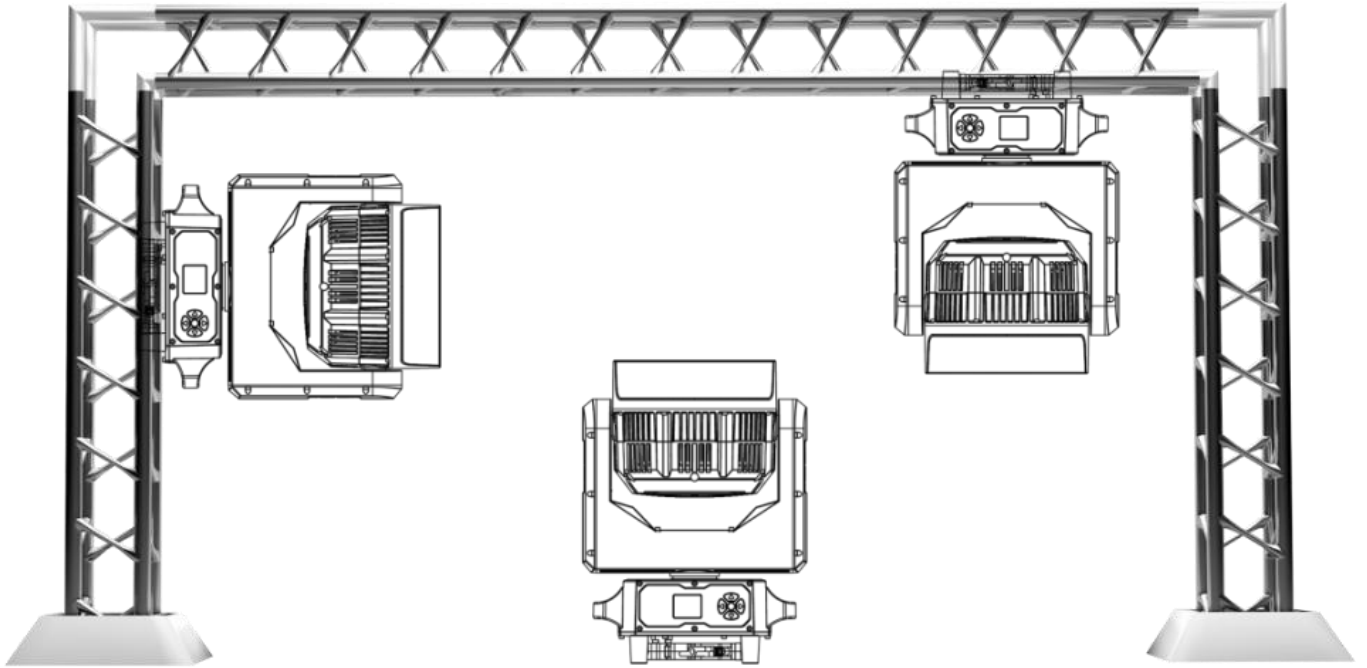
CH	Function	DMX Value	Description
DMX512 signal control			
1	Pan	0-255	0-540°
2	Pan adjustment	0-255	16 bit adjustment
3	Tilt	0-255	0-205°
4	Tilt adjustment	0-255	16 bit adjustment
5	Pan/Tilt speed	0-255	Speed from fast to slow
6	Zoom	0-255	From narrow to wide
7	Lens rotation	0-155	0~60°

		156-205	Clockwise infinite rotation from fast to slow
		206-255	Counterclockwise infinite rotation from slow to fast
8	Dimmer	0 - 255	From dark to bright
9	Dimming Mode	0-49	Linear dimming
		50-99	Square rate dimming
		100-149	Inverse square rate dimming
		150-255	S-curve dimming
10	Reset	0-137	No function
		138-149	PWM output frequency 1K-64K (Within 3 seconds) 1K, 2K, 4K, 6K, 8K, 10K, 16K, 20K, 24K, 32K, 48K, 64K
		150-159	Fast dimming
		160-169	Slow dimming (from fast to slow)
		170-250	No function
		251-255	Reset within 3s
11	Strobe	0-3	Strobe dimming
		4-203	Synchronous strobe speed from slow to fast (1Hz-25Hz)
		204-255	Random strobe
ArtNet signal control			
1	R1 LED dimmer	0-255	R1 LED dimming
2	G1LED dimmer	0-255	G1 LED dimming
3	B1 LED dimmer	0-255	B1 LED dimming
4	W1LED dimmer	0-255	W1 LED dimming
.....
73	R19 LED dimmer	0-255	R19 LED dimming
74	G19 LED dimmer	0-255	G19 LED dimming
75	B19 LED dimmer	0-255	B19 LED dimming
76	W19 LED dimmer	0-255	W19 LED dimming

Mounting

When installing the unit, the trussing or area of installation must be able to hold 10 times the weight without any deformation. When installing the unit must be secured with a secondary safety attachment, e.g. an appropriate safety cable. Never stand directly under the facility while mounting, uninstalling or repairing facilities.

High-altitude mounting requires for extensive experience, including working load limits calculating , installation material, and periodic safety check of installation materials and facilities. If you're lack of mentioned qualifications, do not attempt the installation yourself. These installation should be checked by a skilled person annually.



1940BW works properly in above different mounting, hanging upside-down from a ceiling, sideways on trussing, or set on smooth horizontal surface. Be sure this facility is at least 1m (3.5ft) away from flammable materials (decoration etc.). Always use and install the safety cable to prevent accidental damage or injury from the facility failure. Never use handles for secondary attachment.

NOTICE: The suitable environment temperature of the facility is from -10°C to 45°C . Do not place this facility in an environment where the temperatures are under or above the temperatures stated. This will help the fixture run at its best and extend the lifetime.

Attention

1. When the facility is powered on, please avoid looking directly at the facility.
2. When assembling/ replacing LEDs, be sure to cut off the main power of facilities before opening the cover upon the LED board.

Trouble Shooting

Following are a few common problems that may occur during operation. Here are some suggestions for easy troubleshooting:

A. The unit does not work, no light and the fan does not work

1. Check the status of power connection and fuse.
2. Check the voltage.
3. Check the power indicator.

B. No response to DMX controller

1. If the display screen flashes, check the DMX signal connector and signal line whether the connection is correct.

2. If the display screen does not flash, but no response to channel control, check whether the address code or channel setting is correct.
3. If the DMX signal transmission is intermittent, check if the XLR and DMX cables are in good condition.
4. Try using another controller.
5. Check if the DMX cables is too close to the high-voltage wire, which may damage or interfere with the signal circuit.
6. The facility has not completed the self-check.

C. One of the channels is not working well

1. The stepper motor might be damaged or the cable connected to the PCB is broken.
2. The motor's drive IC on the PCB might be out of condition.

REMARK

The product has perfect performance and integrity packing.

All users should be strictly comply with the warning and operating instructions as stated.

Or we aren't in charge of any result by misusing.

Any damage resulting by misuse is not within the Company's warranty.

Any fault or problem caused by neglecting the manual is also not in the charge of dealers.

Errors and omissions for every information given in this manual excepted.

All information is subject to change without prior notice.