

# MT Wash 1940

## User Manual



**Guangzhou Mitek Light Co.,LTD**

Email: [info@miteklight.com](mailto:info@miteklight.com)

Website: [www.miteklight.com](http://www.miteklight.com)

Add: No. 21 Dongfeng Avenue, Automobile Industry Base, Huadu District, Guangzhou

## **TECHNICAL PARAMETERS**

### **Light source**

Input voltage range: 110-240V~ 50/60Hz

Power consumption: 760W

Light Source: 19x40W RGBW LED

### **Optical**

Color Temperature Output: 7000K

Beam Angle: 6°-60°

Electronic linear zoom system

### **Controls**

Control channels: 10,17,21,25,37,37+

Protocols: DMX512, Master slave, Sound Active, RDM Software upgrade: Upgrade the firmware via DMX link

### **Effect**

It integrates powerful beam and dyeing functions with excellent color macro effect CTO: 2500K-8000K

Outstanding strobe effect with variable speed

Dimming/Strobe:

0%~100% variable dimming, multi-speed strobe effect

### **Construction**

Pan movement: 540°

Tilt movement: 270°

Moving-head operated with either 16-bit resolution Automatic Pan/Tilt position correction

Display: LED 2.4G color screen + 4 touch buttons selection menu Data In/Out: 3-pin or 5-pin XLR

Power In/Out: Power Connector in/out Ingress protection: IP20

2 fixed folding hooks for 50mm truss, reserved for 70mm truss for removable lights The keyhole of the hook

Maximum number of connections: 230V, 50Hz: 11 units; 120V, 60Hz: 5 units

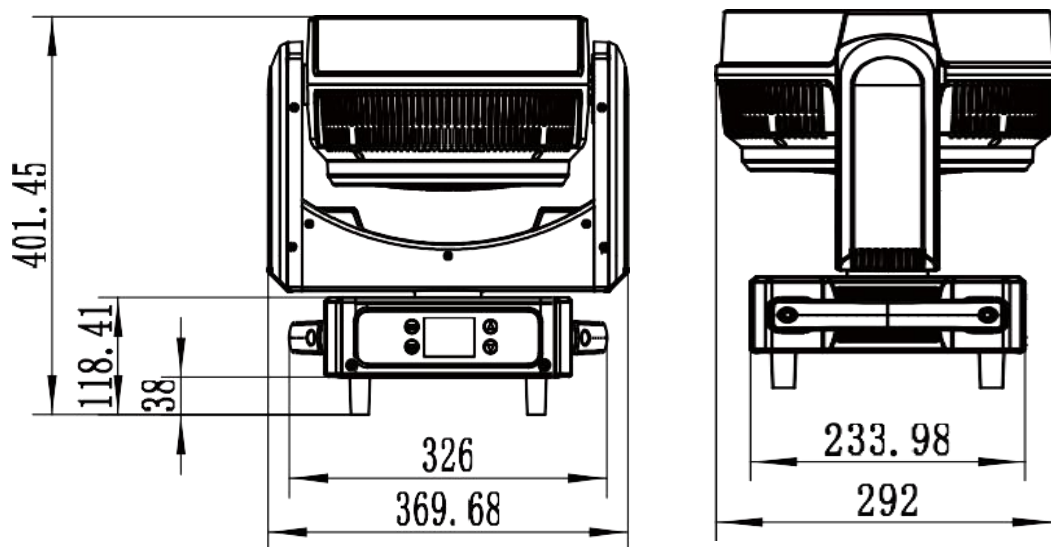
### **Weight&Dimension**

Dimension: 369x292x401mm

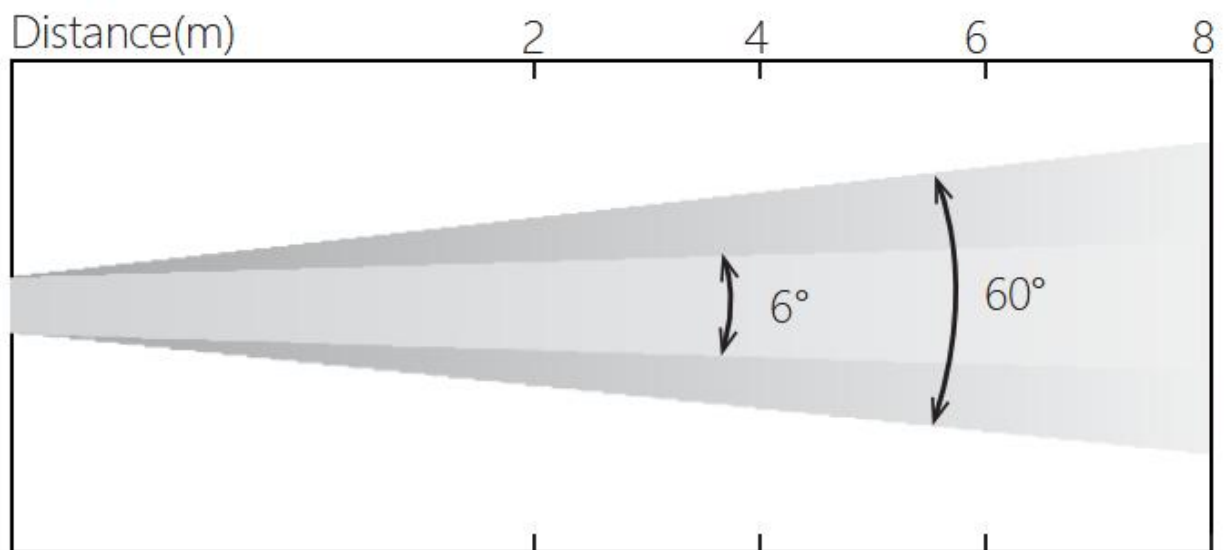
Weight: 15.2Kgs

Package Size: 470x330x590mm

## SIZE DRAWING



## LUX Data



6°Lux	69800	40700	14200	12000
Diameter(m)	0.46	0.66	0.85	1.05
60°Lux	6850	1650	980	680
Diameter(m)	2.6	4.8	7.2	9.5

## Safety guidance



Please read this manual carefully, it includes important information such as installation, use, and maintenance.

### Warnings

Please keep this manual as a basis for future inquiries, and if you sell this product to other users, please make sure they also get this manual.

### Note:

When the equipment leaves the factory, it is packaged in good condition, please operate in accordance with the user manual, and the machine failure caused by human reasons is not guaranteed. Scope of repair.  
. Before using the product, please open it and inspect it carefully to ensure that the lamp is not damaged by transportation.

- . The device is only suitable for use in a dry room indoors.
- . The installation and operation of the lamps and lanterns should be carried out by professionals.
- . Do not allow small children to operate the machine.
- . Use a secure rope to secure the fixture, and hold up the bottom while moving the fixture.
- . The device must be installed in a well-ventilated place, at least 50 cm away from the adjacent plane.
- . Make sure the ventilation holes are clear to avoid overheating while the fixture is running.
- . Ensure that the supply voltage matches the supply voltage required by the equipment before operation.
- . Please ground the conductor to prevent electric shock.
- . Do not operate the lamp below 0°C or above 40°C.
- . It is forbidden to connect the luminaire directly to the dimming device.
- . A small amount of smoke or odor may occur when the new fixture is operating, which will disappear after 15 minutes of operation.
- . Do not place combustible materials next to the lamp when it is running, for fire risk.
- . Before turning on the lamp, please carefully check whether the power cord is broken, and replace it immediately if it is damaged.
- . The luminaire can operate at a surface temperature of up to 75°C, do not touch it with bare hands.
- . Avoid flammable liquids, water or metal and other electrical conductors from entering the inside of the lamp to avoid electric shock or fire, if there is any foreign object entering the lamp, please cut off the power immediately.
- . Avoid operating the lamps in dirty and dusty environments, and clean and maintain the lamps regularly.
- . It is forbidden to touch the wires when the lamp is running to prevent electric shock.
- . Avoid entanglement of the power cord with other wires.
- . The Distance Between The Luminaire and The Illuminated Surface Should BE Greater Than 0.5M
- . Before replacing the fuse or bulb, disconnect the power supply.
- . Use the same model when replacing a fuse or bulb.
- . Do not turn the light on repeatedly.
- . If there is obvious damage to the lamp housing, lens or UV filter, please replace it in time.
- . There are no usable parts inside the lamp, so please do not open the lamp housing without permission.
- . If the machine fails, please stop using it immediately, and check it by power-off;  
Non-professional technicians, please do not repair by yourself; For assistance, please contact the nearest authorized sales/technical center.
- . When the lamp is not used for a long time or is repaired, please cut off the power supply.

- . When you need to transport it again, please use the original packaging materials.
- . There is a risk of explosion of high-temperature bulbs, do not turn on the light fixture within 15 minutes of power off.
- . Replace the bulb in time if it is damaged, deformed by heat, or has exceeded its service life.
- . Please do not look directly at the lamp when it is running.
- . The bulb will be hot when the fixture is running, do not touch the bulb with your bare hands.
- . Do not operate the lamp if it does not have a protective cover or if the housing is damaged.

**note:**

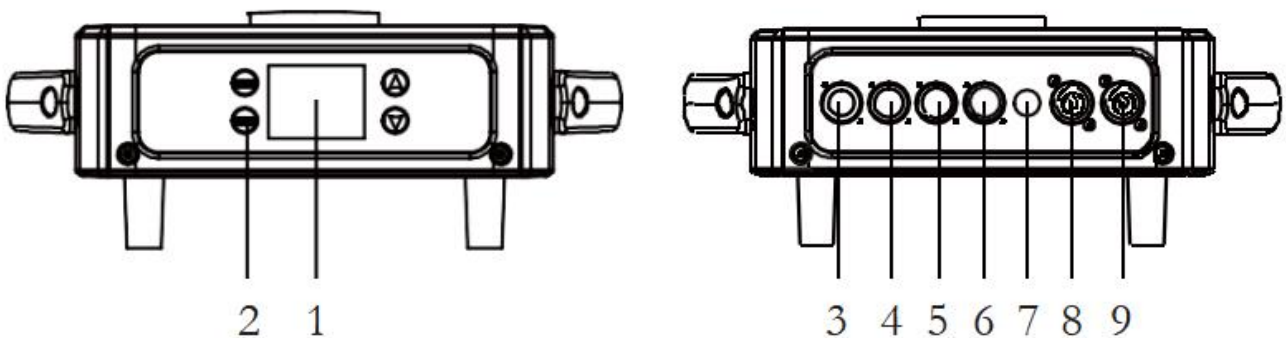
There are no parts inside the luminaire that can be used by the user. Don't just open the case, and don't repair it yourself.

In the unlikely event that your fixture needs to be repaired, please contact your nearest dealer.

**Installation:**

The luminaire should be screwed to the quick-lock hook and be sure to be securely installed to prevent it from fluttering and slipping off during operation. Also make sure that the structure of the connected luminaire is able to support 10 times the weight of the luminaire. It should be used at the same time as the installation of the luminaire A safety rope capable of supporting up to 12 times the weight of the luminaire. The installation of the equipment should be carried out by professionals, and it should also be installed in a place that people cannot touch or pass by.

**control panel**



**1. Display:** Displays various function menus

**2. Buttons:**

MENU	Go to the menu to select the function
▲ UP	to the previous option
▼ DOWN	to the latter option
ENTER	Confirm the selected feature

**3.5-pin DMX input:**

For DMX512 connection, use a 5-pin XLR cable to connect the luminaire to the DMX console and input the DMX signal

**4. 3-pin DMX input:**

For DMX512 connection, use a 3-pin XLR signal cable to connect the luminaire to the DMX console and input the DMX signal

**5.5-pin DMX output:**

For DMX512 connection, use a 5-pin XLR cable to connect to the next fixture and output a DMX signal

### 6.3-pin DMX output:

For DMX512 connection, use a 3-pin XLR cable to connect to the next luminaire and output a DMX signal

**7.Fuse (T 10A):** Protect the lamp from damage caused by excessive current or short circuit

**8.Power input (POWERCON 1-in, 1-out version):** Connect to the power supply

**9.Power output (POWERCON 1-in, 1-out version):** connect the next lamp

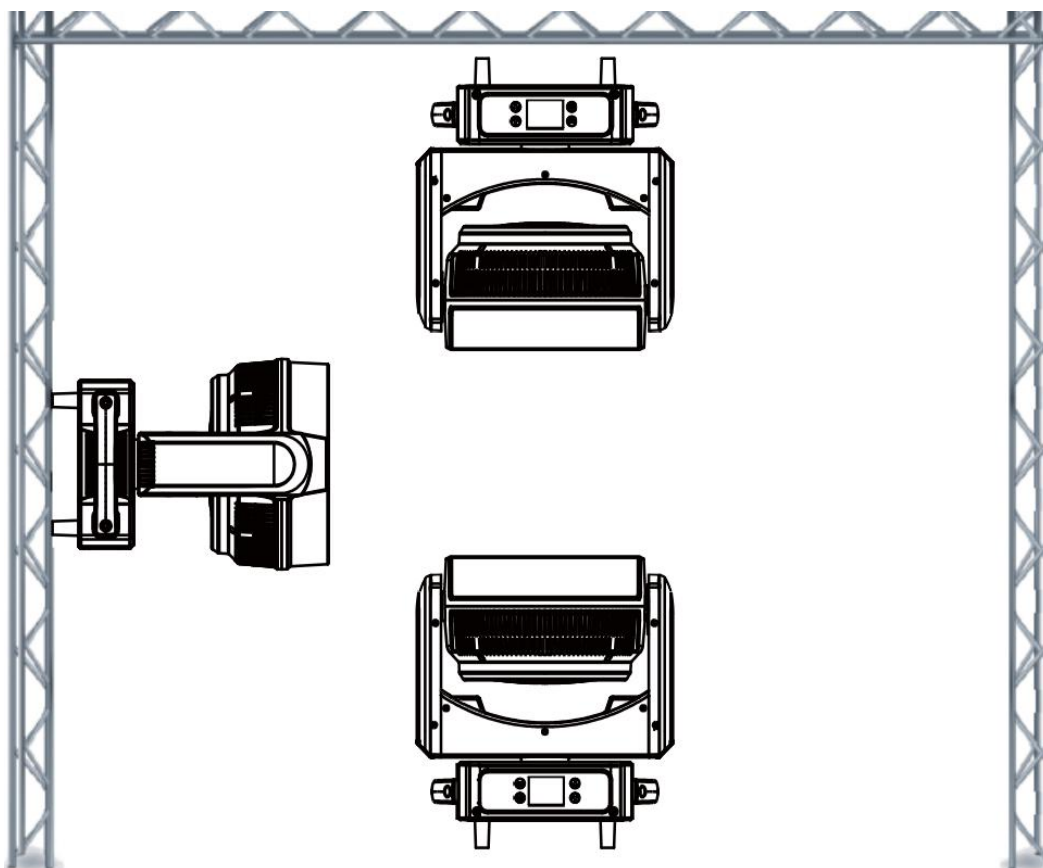
## Lighting installation

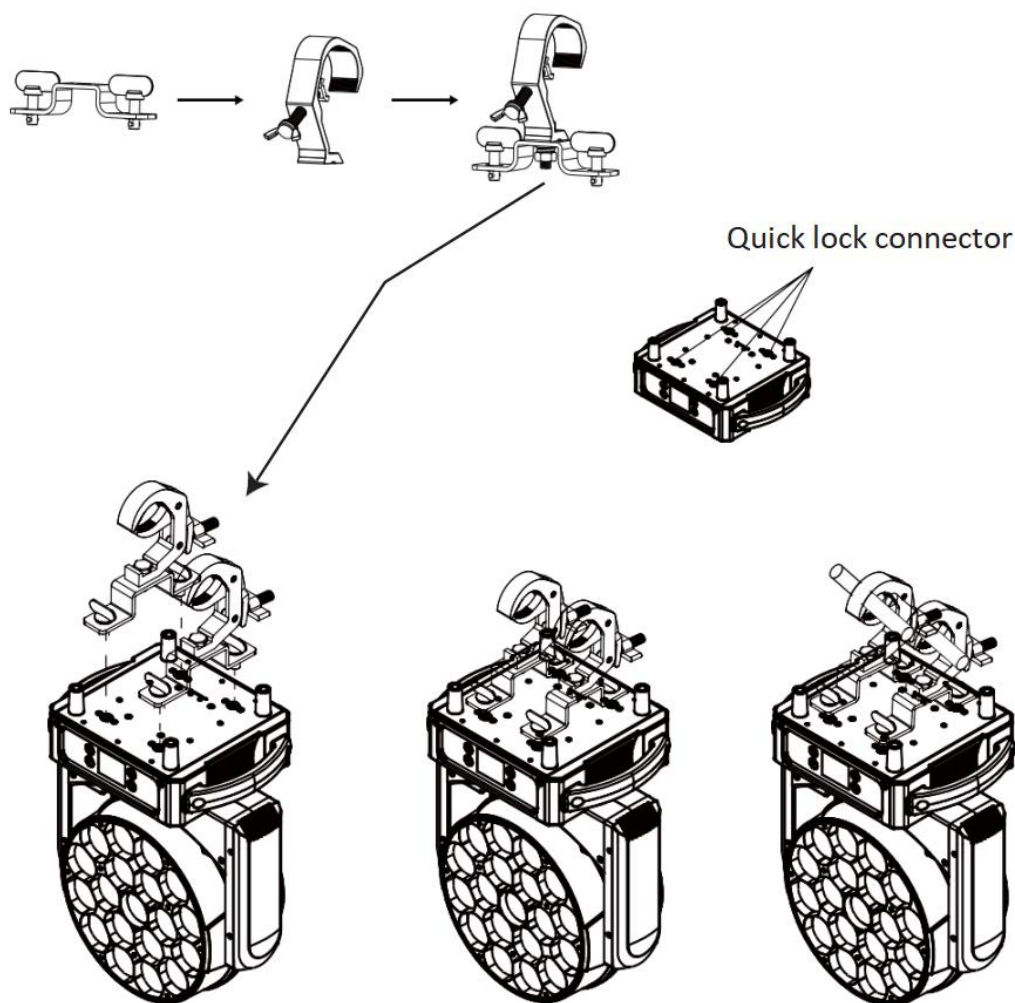
The installation of the equipment should be carried out by a professional and should also be installed in an area other than a walking path, seating area, or away from an area where the luminaire may be touched by unauthorized persons. When assembling, disassembling or repairing a luminaire, never stand directly underneath the luminaire.

When installing the fixture, make sure that the fixture is installed securely to prevent it from shaking and slipping off while running. It is also important to ensure that the structure of the fixture is able to support 10 times the weight of the luminaire without deformation.

Install the fixture with a safety rope that can support 12 times the weight of the fixture to ensure that the fixture does not fall if the fixture fails.

The luminaire is fully operable in 3 different mounting positions: suspended upside down, mounted transversely on a truss, or placed on a flat horizontal surface. Always use and install the included safety rope as a safety measure to prevent accidental damage or death to the fixture in the event of a clamp failure.





## Fixture settings

### -Key features

Turn on the machine, press the MENU button to enter the menu mode, use the UP/DOWN button to find the menu, when the preset menu is displayed on the display screen, press the ENTER button to confirm, use the UP/DOWN button to select a submenu, press the ENTER button to save the settings or automatically return to the previous menu. Press the MENU button to return, or wait 30 seconds before automatically exiting menu mode.

The main functions are shown below:

MAIN MENU	SUBMENU	OPTIONS
	DMX Address	001
		512
	DMX Channel	Mode1 (37)
		Mode2 (21)
		Mode3 (17)
		Mode4 (10)
		Mode5 (37+)
		Mode6 (25)

<b>DMX Functions</b>	DMX State	Hold		
		BlackOut		
	View Dmx Value	Pan	000-255	
		Pan Fine	000-255	
		Tilt	000-255	
		Tilt Fine	000-255	
		P/T Speed	000-255	
		Special Function	000-255	
		Red	000-255	
		Green	000-255	
		Blue	000-255	
		White	000-255	
		CTO	000-255	
		Macro Colour	000-255	
		Zoom	000-255	
		Shutter	000-255	
Dimmer	000-255			
<b>Fixture Settings</b>	Pan Inverse	No		
		Yes		
	Tilt Inverse	No		
		Yes		
	P/T Feedback	No		
		Yes		
	White Balance	Red	125-255	
		Green	125-255	
		Blue	125-255	
	Dimmer Curve	Liner		
Square				
Inv SQ				
Dimmer Speed	S Curve			
	Fast			
	Smooth			
<b>Display Settings</b>	Display Inverse	No		
		Yes		
		Auto		
	Backlight Switch	Off		
		On		
	Backlight Intensity	1-10		
	Temperature Unit	°C		
°F				
Language	English			
	Chinese			
<b>Fixture Test</b>	Auto Test			
	Manual Test			
<b>Fixture Information</b>	Fixture use time			
	Firmware Version			
	Pan/Tilt	No		
		Yes		
	Zoom	No		

<b>Reset</b>		Yes
	All	No
		Yes
<b>Special Function</b>	Factory Setting	
	Password	

#### DMX Functions

Enter the MENU mode, select the DMX Functions, press the ENTER button to confirm, and use the UP/DOWN button to select: DMX Address, DMX Channel, DMX State or View DMX Value.

#### DMX Address

Select the DMX address, press the ENTER button to confirm, and the current DMX address will be displayed on the display. Use the UP/DOWN button to select the 1-512 address and press the ENTER button to save. Press the MENU button to return to the previous menu or wait for 1 minute to automatically exit the menu mode.

#### DMX Channel

Select the DMX Channel, press the ENTER button to confirm, the current channel mode will be displayed on the display, use UP/DOWN button to select: Mode 1 (37), Mode 2 (21), Mode 3 (17), Mode 4 (10), Mode 5 (37+) or Mode 6 (25),press the ENTER button to save. Press MENU press button to return to the previous menu or wait for 1 minute to automatically exit the menu mode.

#### DMX State

Select the DMX status, press the ENTER button to confirm, the current mode will be displayed on the display, and use the UP/DOWN button to select: Hold(the DMX signal s tops and the machine will remain in the last state) or BlackOut(The DMX signal stops the machine and will go into standby mode), press the ENTER button to save. Press the MENU button to return to the previous menu or wait for 1 minute to automatically exit the menu mode.

#### View DMX Value

Select the View DMX Value, press the ENTER button to confirm, the current channel and its value will be displayed on the screen. Use the UP/DOWN button to view additional channel values. Press the MENU button to return to the previous menu or wait for 1 minute to automatically exit the menu mode

#### Fixture Settings

Enter MENU mode, select Fixture Settings, press the ENTER button to confirm,use the UP/DOWN button to select: Pan Inverse, Tilt Inverse, P/T Feedback, White Balance, Dimmer Curve,Dimmer Speed.

#### Pan Inverse

Select Pan Inverse, press the ENTER button to confirm, the current mode will be displayed on the display, use the UP/DOWN button to select: No (normal operation) or Yes (Pan Inverse), press the ENTER button to save. Press the MENU button to return to the previous menu or wait for 1 minute to automatically exit the menu mode.

#### Tilt Inverse

Select Tilt Inverse, press the ENTER button to confirm, the current mode will be displayed on the display, use the UP/DOWN button to select: No (normal operation) or Yes (Tilt Inverse), press the ENTER button to

save. Press the MENU button to return to the previous menu or wait for 1 minute to automatically exit the menu mode.

#### P/T Feedback

Select P/T Feedback, press the ENTER button to confirm, the current mode will be displayed on the display, use the UP/DOWN button to select: No (X/Y will remain out of step when it is out of step) or Yes (X/Y will be out of step when it will be self PRESS ENTER TO SAVE.

Press the MENU button to return to the previous menu or wait for 1 minute to automatically exit the menu mode.

#### White Balance

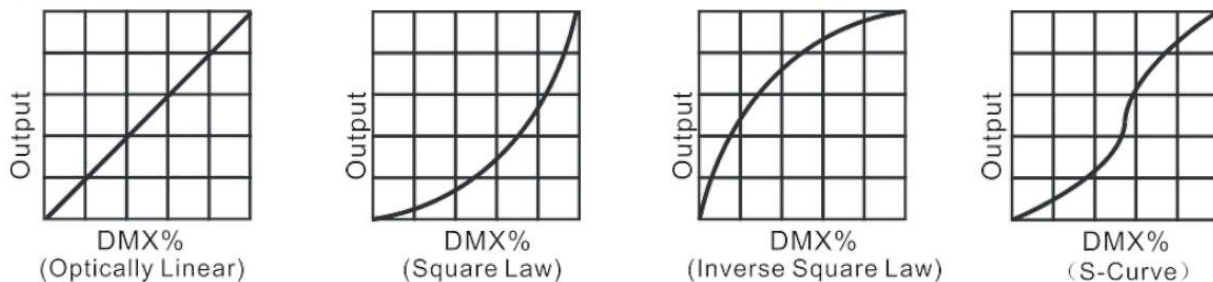
Select White Balance, press the ENTER button to confirm, the current mode will be displayed on the display, use the UP/DOWN button to select: Red, Green or Blue, once selected, press the ENTER button to confirm. Use the UP/DOWN button to adjust the color brightness between 125-255, and press the ENTER button to save. Press the MENU button to return to the previous menu or wait for 1 minute to automatically exit the menu mode.

#### Dimmer Curve

Select Dimming Curve, press the ENTER button to confirm, the current mode will be displayed on the display, use the UP/DOWN button to select: Optically Linear, Square Law, Inverse Square Law or S-Curve, press the ENTER button to holdExist. Press the MENU button to return to the previous menu or wait for 1 minute to automatically exit the menu mode.

Please refer to the following figure for the details of the curve:

#### Dimmer Modes:



#### Dimmer Speed

Select the Dimmer speed, press the ENTER button to confirm, the current mode will be displayed on the display, use the UP/DOWN button to select: Fast or Smooth, press the ENTER button to save. Press the MENU button to go back Go to the previous menu or wait for 1 minute to automatically exit the menu mode.

#### Display Settings

Enter the MENU mode, select the Display settings, press the ENTER button to confirm, use the UP/DOWN buttons to select the Display Inverse, Backlight Switch, Backlight, Intensity, Temperature Unit or Language.

#### Display Inverse

Select Display Inverse, press the ENTER button to confirm, the current mode will be displayed on the display, use the UP/DOWN button to select: No (Normal), Yes (Show Reverse), or Auto, press the ENTER button to save. Press the MENU button to return to the previous menu or wait for 1 minute to automatically exit the menu mode.

### **Backlight Switch**

Select Backlight Switch, press the ENTER button to confirm, the current mode will be displayed on the display, use the UP/DOWN button to adjust the backlight OFF or ON, press the ENTER button to save. Press the ENTER button to save. Press the MENU button to return to the previous menu or wait for 1 minute to automatically exit the menu mode.

### **Backlight Intensity**

Select Backlight Intensity, press the ENTER button to confirm, the current mode will be displayed on the display, use the UP/DOWN button to adjust the backlight brightness from 001 (black) to 010 (bright), press the ENTER button to save. Press the ENTER button to save. Press the MENU button to return to the previous menu or wait for 1 minute to automatically exit the menu mode.

### **Temperature Unit**

Select the Temperature unit, press the ENTER button to confirm, the current mode will be displayed on the display, use the UP/DOWN button to select: °C or °F, press the ENTER button to save. Press the MENU button to go back onLevel 1 menu or wait 1 minute to automatically exit menu mode.

### **Language**

Select the Language, press the ENTER button to confirm, the current mode will be displayed on the display, use the UP/DOWN button to select: English or Chinese, press the ENTER button to save. Press the MENU button to return to the previous menu or wait for 1 minute to automatically exit the menu mode.

### **Fixture Test**

Enter the MENU mode, select Fixture Test, press the ENTER button to confirm, and use the UP/DOWN button to select: Auto Test or Manual Test.

### **Auto Test**

Select Auto Test, press the ENTER button to confirm, and the luminaire will run the built-in program to test horizontal, vertical, color wheel, dimming, strobe, zoom, focus, fogging, etc. Press the MENU button to go back to the previous menu or return to menu mode when the test is over.

### **Manual Test**

Select Manual Test, press the ENTER button to confirm, and the current channel will be displayed on the display. Use the UP/DOWN button to select the channel, press the ENTER button to confirm, and then use the UP/DOWN button to adjust it Full channel value, press the ENTER button to save, and the fixture will run according to the channel value. Press the MENU button to return to the previous menu or wait for 1 minute to automatically exit the menu mode. (When you exit the manual test menu, all channel values will become zero).

### **Fixture Information**

Enter the MENU mode, select Fixture Information, press the ENTER button to confirm, and use the UP/DOWN button to select: Fixture use time or Firmware Version.

### **Fixture use time**

Select the Fixture use time, press the ENTER button to confirm, the time of the lamp will be displayed on the display, press the MENU button to exit.

### **Firmware Version**

Select the Firmware Version, press the ENTER button to confirm, the CPU version of the device will be displayed on the display, press the MENU button to exit.

### Reset

Enter the MENU mode, select Reset, press the ENTER button to confirm, and use the UP/DOWN button to select: Pan/Tilt, Zoom or All.

### Pan/Tilt

Select Pan/Tilt, press the ENTER button to confirm, and use the UP/DOWN button to select: No or Yes (the machine will run the built-in program to restore the initial position both horizontally and vertically). Press the ENTER button to save. Press the MENU button to exit or wait 1 minute to exit menu mode.

### Zoom

Select Zoom, press the ENTER button to confirm, use the UP/DOWN button to select: No or Yes (the machine runs and will run the built-in program to restore the initial focus rotation position). Press the ENTER button to save. press MENU button to exit or wait 1 minute to exit menu mode.

### All

Select All , press the ENTER button to confirm, Use the UP/DOWN buttons to select: No or Yes (machine operation will run the built-in program to restore all motor initial positions). Press the ENTER button to save. press MENU button to exit.

### Special Function

Enter the MENU mode, select Special Functions, press the ENTER button to confirm, and select: Factory Setting or Password.

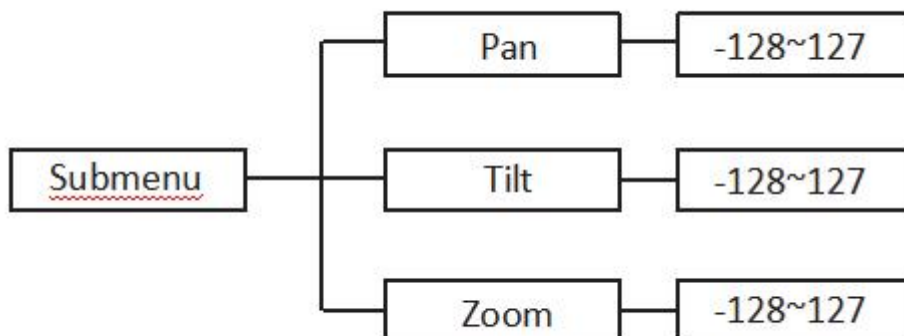
### Factory Setting

Select Factory Setting, press the ENTER button to confirm, use the UP/DOWN buttons to select: No (keep current settings) or Yes (restore factory settings), and once selected, press ENTER to save. Press the MENU button Quit.

### Password

Select Password, press the ENTER button to confirm, use the UP/DOWN button to select: 000 or 999, and once selected, press the ENTER button to save. Press the MENU button to exit.

## initial position adjustment

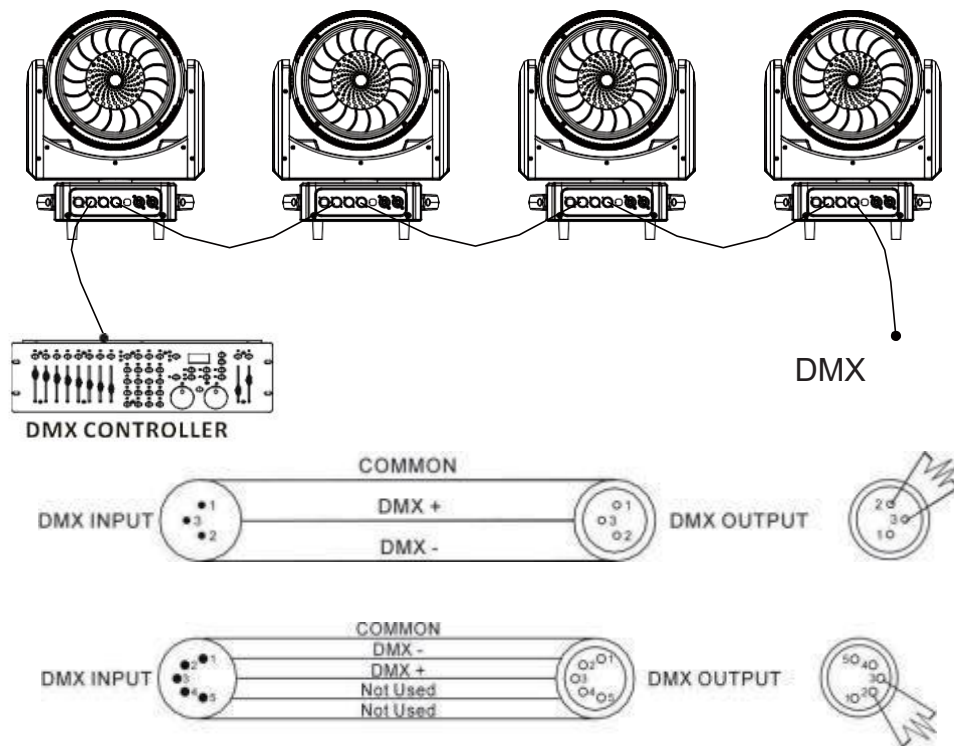


In the main function menu, press and hold the ENTER button for at least 3 seconds to enter the fine tuning menu, use the UP/DOWN button to select horizontal, vertical or zoom, and press the ENTER button to

confirm. Use the UP/DOWN buttons to adjust the initial position of the Pan, Tilt, or zoom. Once confirmed, press the ENTER button to save. Press the MENU button to exit.

## Universal DMX controller control

### DMX512 connection



- 1.If you want to use a controller with a 5-pin DMX connector, you must use a 3-pin to 5-pin adapter signal socket.
- 2.On the last light, the DMX signal cable needs to be fitted with a terminator. Solder a 120ohm1/4W resistor between pin2 and pin3, fit it into the 3-pin XLR plug and plug it into the DMX output of the last lamp.
- 3.Use an XLR signal cable to link the luminaire to the output port of the luminaire at one end and the input port of the next luminaire at the other end. XLR signal cables can only be used in series, not in parallel. The DMX512 has a fast signal transmission speed. Damaged signal lines, poor welding, poor contact, etc., will affect signal transmission and cause the system to shut down.
- 4.When the power supply of a unit is disconnected, the DMX output and input links are bypassed, so that the DMX line can continue to be connected.
- 5.Each lamp has an address code that can receive information from the console in the range of 0-512 (usually 0&1 and 1 are equal).
- 6.The terminals of the system need to be equipped with a terminator to reduce signal transmission errors.
- 7.3-pin XLR connector connectors are a bit more common than 5-pin XLR. 3-pin XLR: PIN 1: GND, PIN 2: Negative, PIN 3: Positive.
- 5-core XLR: PIN 1: GND, PIN 2: Negative, PIN 3: Positive, PIN4/PIN5: Unused.

## Address code settings

When using a universal DMX controller to control a fixture, you need to set the starting address (1-512) for the fixture so that the fixture can receive the signal. Press the MENU button to enter the menu mode, select the DMX function, press the ENTER button to confirm, select the DMX address, press the ENTER button to confirm, the current address will be displayed on the display, then use the UP/DOWN button to select the address code (1-512), press the ENTER button to save. Press the MENU button to return to the previous menu or wait for 1 minute to automatically exit the menu mode. Please refer to the chart below to set the address code of the first 4 fixtures:

Channel mode	Lamps1 Address code	Lamps2 Address code	Lamps3 Address code	Lamps4 Address code
10 passage	1	11	21	31
17 passage	1	18	35	52
21 passage	1	22	43	64
25 passage	1	26	51	76
37 passage	1	38	75	112
37+ passage	1	38+	75+	112+

## DMX512 channel

Please refer to the channel diagram below to control the fixture Note:

- 1.If the DMX signal is cut off, the fixture will remain in the state it was in before the signal was disconnected until it is set up again.
- 2.In the "Function" channel, hold the channel value for about 3 seconds and the fixture will run the corresponding function.

### 10 Channel Mode (Mode 4):

CHANNEL	DMX Value	Function
1	000-255	Pan
2	000-255	Pan Fine
3	000-255	Tilt
4	000-255	Tilt Fine
5	000-255	<b>Pan/Tilt speed</b> Fast to slow
		<b>Special Features</b>
	000-009	Reserved
	010-014	Reserved
	015-019	Reserved
	020-049	Reserved
	050-059	Reserved

	060-069	Reserved
	070-079	Blackout while pan/tilt moving
6	080-089	Disabled blackout while pan/tilt moving
	090-099	Reserved
	100-109	Reserved
	110-139	Reserved
	140-149	Pan/Tilt reset
	150-179	Reserved
	180-189	Zoom reset
	190-199	Reserved
	200-209	Total reset
	210-239	Reserved
	240-243	Disable "Silent mode" of fans
	244-255	"Silent mode of fans":fans noise from min. to max
		<b>Color macro function</b>
7	000-015	The overall control is from dark to bright
	016-244	Color change
	245-255	Built-in programs
8	000-255	<b>Focus</b> Wide to narrow
		<b>Strobe</b>
	000-031	Darkfield
	032-064	Strobe 1: Slow and fast
9	065-095	Strobe 2: Slow and fast
	096-126	Open the light
	127-159	Strobe 3: Turn off the pulse slowly
	160-223	Strobe 4: Burst pulse is slow and fast
	224-255	Open the light
10	000-255	<b>Dimming</b> 0%~100%

### 17 Channel Mode (Mode 3):

CHANNEL	DMX Value	Function
1	000-255	Pan
2	000-255	Pan Fine
3	000-255	Tilt
4	000-255	Tilt Fine
5	000-255	<b>Pan/Tilt speed</b> Fast to slow

6	000-009 010-014 015-019 020-049 050-059 060-069 070-079 080-089 090-099 100-109 110-139 140-149 150-179 180-189 190-199 200-209 210-239 240-243 244-255	<p><b>Special Features</b> Reserved Reserved Reserved Reserved Reserved Reserved Blackout while pan/tilt moving Disabled blackout while pan/tilt moving Reserved Reserved Reserved Pan/Tilt reset Reserved Zoom reset Reserved Total reset Reserved Disable "Silent mode" of fans "Silent mode of fans":fans noise from min. to max</p>
7	000-255	<b>Built-in programs</b> Red (0%-100%)
8	000-255	Green (0%-100%)
9	000-255	Blue (0%-100%)
10	000-255	White (0%-100%)
11	000-255	CTO
12	000-015 016-244 245-255	<b>Color macro function</b> Overall control Color change Built-in programs
13	000-255	<b>Color running</b>
14	000-255	<b>Color running speed</b>
15	000-255	<b>Focus</b> Wide to narrow
16	000-031 032-064 065-095 096-126 127-159 160-223 224-255	<b>Strobe</b> Darkfield Strobe 1: Slow to fast Strobe 2: Slow to fast Open the light Strobe 3: The pulse is slow to fast Strobe 4: Burst pulses are slow to fast Open the light
17	000-255	<b>Dimming</b> 0%~100%

### 21 Channel Mode (Mode 3):

CHANNEL	DMX Value	Function
1	000-255	Pan
2	000-255	Pan Fine
3	000-255	Tilt
4	000-255	Tilt Fine

5	000-255	<b>Pan/Tilt speed</b> Fast to slow
6	000-009 010-014 015-019 020-049 050-059 060-069 070-079	<b>Special Features</b> Reserved Reserved Reserved Reserved Reserved Reserved Blackout while pan/tilt moving
	080-089 090-099 100-109 110-139 140-149 150-179 180-189 190-199 200-209 210-239 240-243 244-255	Disabled blackout while pan/tilt moving Reserved Reserved Reserved Pan/Tilt reset Reserved Zoom reset Reserved Total reset Reserved Disable "Silent mode" of fans "Silent mode of fans":fans noise from min. to max
7	000-255	<b>Built-in programs</b> Red (8 Bit) (0%-100%)
8	000-255	Red Fine(16 Bit) (0%-100%)
9	000-255	Green (8 Bit) (0%-100%)
10	000-255	Green Fine(16 Bit) (0%-100%)
11	000-255	Blue (8 Bit) (0%-100%)
12	000-255	Blue Fine(16 Bit) (0%-100%)
13	000-255	White (8 Bit) (0%-100%)
14	000-255	White Fine(16 Bit) (0%-100%)
15	000-255	CTO
16	000-015 016-244 245-255	<b>Color macro function</b> The overall control is from dark to bright Color change Built-in programs
17	000-255	<b>Focus</b> Wide to narrow
18	000-255	Focus Fine
19	000-031 032-064 065-095 096-126 127-159 160-223 224-255	<b>Strobe</b> Darkfield Strobe 1: Slow to fast Strobe 2: Slow to fast Open the light Strobe 3: Pulse off slow to fast Strobe 4: Burst pulses are slow to fast Open the light
20	000-255	<b>Dimming</b> 0%~100%
21	000-255	<b>Dimming fine</b> 0%~100%

## 25 Channel Mode (Mode 6):

CHANNEL	DMX Value	Function
1	000-255	Pan
2	000-255	Pan Fine
3	000-255	Tilt
4	000-255	Tilt Fine
5	000-255	<b>Pan/Tilt speed</b> Fast to slow
6	000-009 010-014 015-019 020-049 050-059 060-069 070-079 080-089 090-099 100-109 110-139 140-149 150-179 180-189 190-199 200-209 210-239 240-243 244-255	<b>Special Features</b> Reserved Reserved Reserved Reserved Reserved Reserved Blackout while pan/tilt moving Disabled blackout while pan/tilt moving Reserved Reserved Reserved Pan/Tilt reset Reserved Zoom reset Reserved Total reset Reserved Disable "Silent mode" of fans "Silentmode of fans":fans noise from min. to max
7	000-255	<b>Built-in programs</b> Red 1 Circle (8 Bit) (0%-100%)
8	000-255	Green 1 Circle (8 bit) (0%-100%)
9	000-255	Blue 1 Circle (8 Bit) (0%-100%)
10	000-255	White 1 Circle (8 bit) (0%-100%)
11	000-255	Red 2 Circle (8 Bit) (0%-100%)
12	000-255	Green 2 Circle (8 Bit) (0%-100%)
13	000-255	Blue 2 Circle (8 Bit) (0%-100%)
14	000-255	White 2 Circle (8 Bit) (0%-100%)
15	000-255	Red 3 Circles (8 Bit) (0%-100%)
16	000-255	Green 3 Circle (8 Bit) (0%-100%)
17	000-255	Blue 3 Circle (8 Bit) (0%-100%)
18	000-255	White 3 Circle (8 Bit) (0%-100%)
19	000-255	CTO
20	000-015 016-244 245-255	<b>Color macro function</b> Overall control Color change Built-in programs
21	000-255	<b>Focus</b> Wide to narrow
22	000-255	Focus Fine

23	000-031 032-064 065-095 096-126 127-159 160-223 224-255	<b>Strobe</b> Darkfield Strobe 1: Slow to fast Strobe 2: Slow to fast Open the light Strobe 3: Pulse off slow to fast Strobe 4: Slow to fast Open the light
24	000-255	<b>Dimming</b> 0%~100%
25	000-255	<b>Dimming Fine</b> 0%~100%

### 37 Channel Mode (Mode 1):

CHANNEL	DMX Value	Function
1	000-255	<b>Pan</b>
2	000-255	<b>Pan Fine</b>
3	000-255	<b>Tilt</b>
4	000-255	<b>Tilt Fine</b>
5	000-255	<b>Pan/Tilt speed</b> Fast to slow
6	000-009 010-014 015-019 020-049 050-059 060-069 070-079 080-089 090-099 100-109 110-139 140-149 150-179 180-189 190-199 200-209 210-239 240-243 244-255	<b>Special Features</b> Reserved Reserved Reserved Reserved Reserved Reserved Blackout while pan/tilt moving Disabled blackout while pan/tilt moving Reserved Reserved Reserved Pan/Tilt reset Reserved Zoom reset Reserved Total reset Reserved Disable "Silent mode" of fans "Silentmode of fans":fans noise from min. to max
7	000-255	<b>Focus</b> Wide to narrow
8	000-255	<b>Focus Fine</b>
9	000-031 032-064 065-095 096-126 127-159 160-223 224-255	<b>Strobe</b> Darkfield Strobe 1: Slow to fast Strobe 2: Slow to fast Open the light Strobe 3: Pulse off slow to fast Strobe 4: Slow to fast Open the light

10	000-255	<b>Dimming</b> 0%-100%
11	000-255	<b>Dimming Fine</b> 0%-100%
12	000-255	CTO
13	000-015 016-244 245-255	<b>Color macro function</b> Overall control Color change Built-in programs
14	000-255	<b>Built-in programs</b> Red 1 Circle (8 Bit) (0%-100%)
15	000-255	Red Fine 1 Circle (16 Bit) (0%-100%)
16	000-255	Green 1 Circle (8 bit) (0%-100%)
17	000-255	Green Fine 1 Circle (16 Bit) (0%-100%)
18	000-255	Blue 1 Circle (8 Bit) (0%-100%)
19	000-255	Blue Fine 1 Circle (16 Bit) (0%-100%)
20	000-255	White 1 Circle(8 bit) (0%-100%)
21	000-255	White Fine 1 Circle (16 Bit) (0%-100%)
22	000-255	Red 2 Circle (8 Bit) (0%-100%)
23	000-255	Red Fine 2 Circle (16 Bit) (0%-100%)
24	000-255	Green 2 Circles (8 Bit) (0%-100%)
25	000-255	Green Fine 2 Circle (16 Bit) (0%-100%)
26	000-255	Blue 2 Circle (8 Bit) (0%-100%)
27	000-255	Blue Fine 2 Circle (16 Bit) (0%-100%)
28	000-255	White 2 Circle(8 bit) (0%-100%)
29	000-255	White Fine 2 Circle (16 Bit) (0%-100%)
30	000-255	Red 3 Circle (8 Bit) (0%-100%)
31	000-255	Red Fine 3 Circle (16 Bit) (0%-100%)
32	000-255	Green 3 Circles (8 Bit) (0%-100%)
33	000-255	Green Fine 3 Circle (16 Bit) (0%-100%)
34	000-255	Blue 3 Circle (8 Bit) (0%-100%)
35	000-255	Blue Fine 3 Circle (16 Bit) (0%-100%)
36	000-255	White 3 Circle(8 bit) (0%-100%)
37	000-255	White Fine 3 Circle (16 Bit) (0%-100%)

## error message

**When there is an abnormality in the luminaire, the error warning will continue to be displayed on the display and will not disappear until the fault will be solved.**

### 1. CPU-B/C/D error

Check that the 485(DATA) leads on the PCB board are in place or disconnected Check that the 485 (DATA) lead is not broken

Check the associated signal circuit 485 (DATA) on the PCB for damage

### 2. Horizontal reset error

Check the position of the horizontally mounted magnet for detachment or damage

Check whether there are any other interfering items within the horizontal operating range Check the horizontal Hall element for damage

Check the horizontal Hall element to the PCB board leads for poor contact or disconnection Check the horizontal motor for damage

Check whether the relevant circuits of the horizontal motor drive board are damaged

### **3. Horizontal encoder error**

Check the horizontal encoder for damage

Check the horizontal encoder-to-PCB board leads for poor contact or disconnection

### **4. Vertical reset error**

Check whether the vertically mounted magnet position is detached or damaged Check the vertical operating range for other interfering items

Inspect the vertical Hall element for damage

Check that the vertical Hall element to the PCB board leads are not in poor contact or disconnected Check the vertical motor for damage

Check whether the circuits related to the vertical motor drive board are damaged

### **5. Vertical encoder error**

Check if the vertical encoder is damaged

Check that the vertical encoder-to-PCB board leads are not in poor contact or disconnected

### **6. Color correction chip error**

Check the chip for damage

Check whether the chip board is plugged in properly, and whether the IC and other electronic components are soldered

Check the motherboard for failures

Check whether the motherboard's R76 resistors and other components are soldered

### **7. Zoom reset error**

Check the location of the zoom mounting magnet for detachment or damage Check if there are any other interfering items in the zoom range

Check for damage to the scaled Hall component

Check that the scaled Hall component-to-PCB board leads are not in poor contact or disconnected Check if the scaling motor is damaged

Check whether the circuits related to the scaling motor driver board are damaged

### **8. Lamp bead fan 1/2/3 error**

Check if the fan is not running or if the fan voltage is measured correctly Check that the fan leads are installed or disconnected

Check whether the fan circuit on the PCB board is abnormal

### **9. Base fan 1/2 error**

Check if the fan is not running or if the fan voltage is measured correctly Check that the fan leads are installed or disconnected

Check whether the fan circuit on the PCB board is abnormal

### **10. Head Fan 1/2/3 error**

Check if the fan is not running or if the fan voltage is measured correctly Check that the fan leads are installed or disconnected

Check whether the fan circuit on the PCB board is abnormal

### **11. Head temperature detection error**

Check whether the temperature detection plate is normal

Check whether the components of the temperature detection board are damaged Check that the temperature detection board leads are not disconnected

## Troubleshooting

Here are some of the problems that often occur when the equipment is in operation, with some suggestions for troubleshooting:

### **A. The light fixtures are not working, there are no lights, and the fans are not turning**

1. Check the power contact and the fuse is in good condition.
2. Detect voltage.
3. Check the indicator light of the power switch.

### **B. Not controlled by the console**

1. Check that the DMX signal connector and signal cable are connected correctly.
2. Check if the address code is set correctly.
3. If the DMX signal transmission is intermittent, check that the XLR is well connected to the signal cable.
4. Try it with a different controller.
5. Check that the DMX signal line and the high-voltage wire are too close together, which could damage or interfere with the signal circuit.

### **C. A channel is out of order**

1. The stepper motor or motor leads may be damaged.
2. The drive circuit of the motor may be damaged.

### **D. Light bulbs are sometimes good and bad**

1. The bulb does not light properly. See if the voltage is too high or too low.
2. The internal temperature may be too high. If necessary, replace the refrigeration fan.

## Equipment cleanin

Keeping the luminaires clean is absolutely essential in order to maintain optimal performance and ensure the best possible lighting results. It must be cleaned regularly Luminaires, to avoid the accumulation of dust, dirt and smoke residues on the surface or inside the luminaires, cleaning frequency depending on the application Environment. If dust enters the lamp due to the installation and construction environment, please clean it immediately to avoid excessive dust Cause damage to the optical part of the lamp.

\*It is recommended to use a soft, lint-free cloth and a high-quality glass cleaning solution, and no solvents should be used under any circumstances.

\*Carefully wipe the parts.

The outside of the lens must be wiped at least every 20 days. Wipe the inside at least every 30 days.

## REMARK

The product has perfect performance and integrity packing.

All users should be strictly comply with the warning and operating instructions as stated.

Or we aren't in charge of any result by misusing.

Any damage resulting by misuse is not within the Company's warranty.

Any fault or problem caused by neglecting the manual is also not in the charge of dealers.

Errors and omissions for every information given in this manual excepted.

All information is subject to change without prior notice.