

MT WASH 6130

User Manual



Guangzhou Mitek Light Co.,LTD

Email: info@miteklight.com

Website: www.miteklight.com

Add: No. 21 Dongfeng Avenue, Automobile Industry Base, Huadu District, Guangzhou

TECHNICAL PARAMETERS

Light source

Voltage: AC100V~240V 50-60HZ

LED Source: Main LED 61x30W high power RGBW 4 in 1 LEDs

Effect light: 366x0.2W RGB LED

Optical

Zoom: 13°-52°

Controls

Control Mode: DMX512,Artnet,Sound-actived,Auto,Master/slave

DMX Channels: 21/49/204/232/265 five channel mode

Effect

Dimmer: 0-100% linear dimmer with 4 kinds of dimmer curve.

Strobe: 0-25Hz

Construction

Pan: 540°+16bit fine

Tilt: 250°+16bit fine

Correction:automatic tilt step loss correction

Display: Touch LCD display with touch buttons.

Temperature control: intelligent temperature control, which can automatically adjust the speed and overheating protection of the heat fan.

IP: IP20

Weight&Dimension

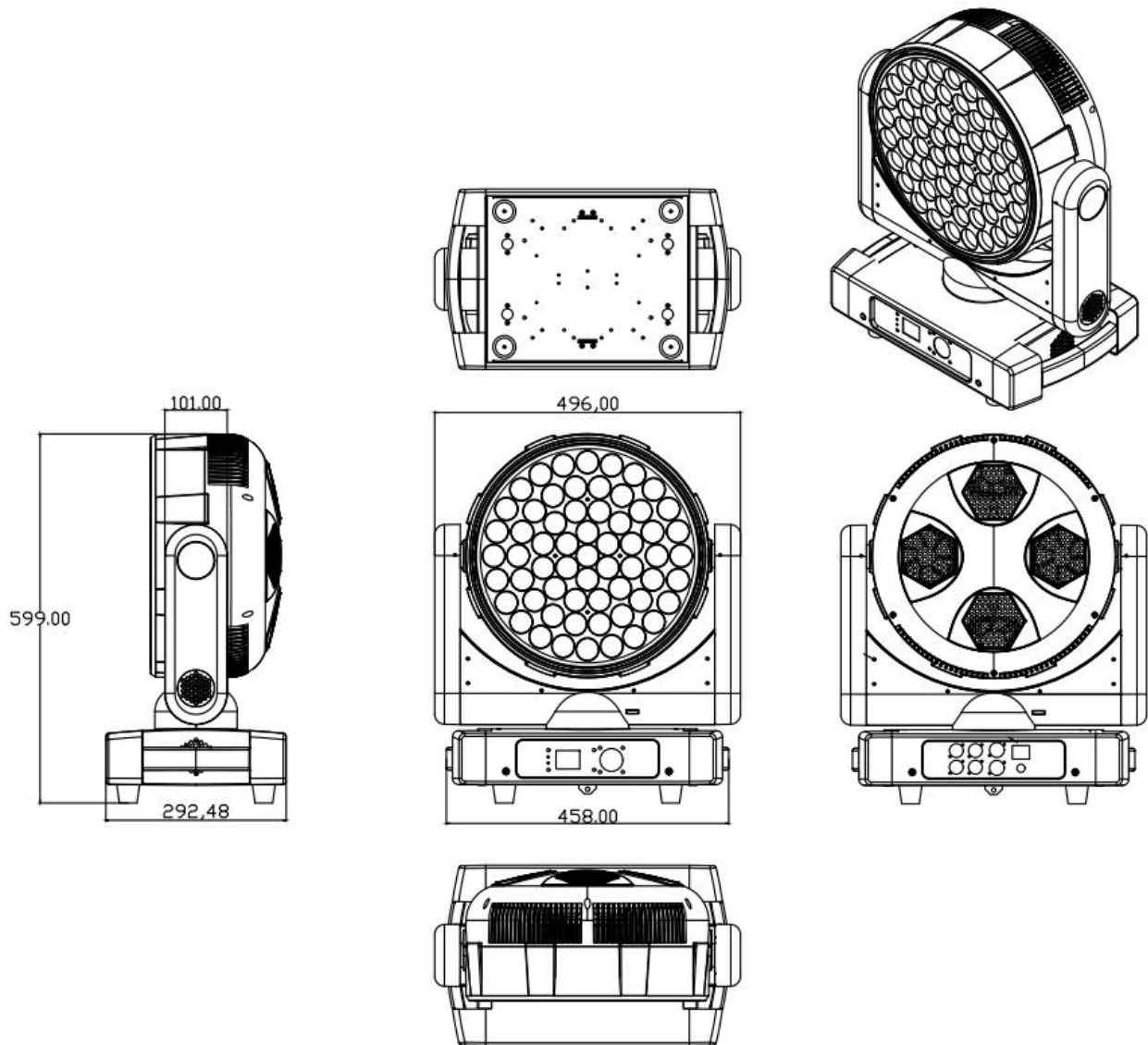
Product size: 59.9*49.6*29.3cm

Net weight: 23.7 kg

Product packaging: 59.5*56.5*50cm

Gross weight: 25.5kg

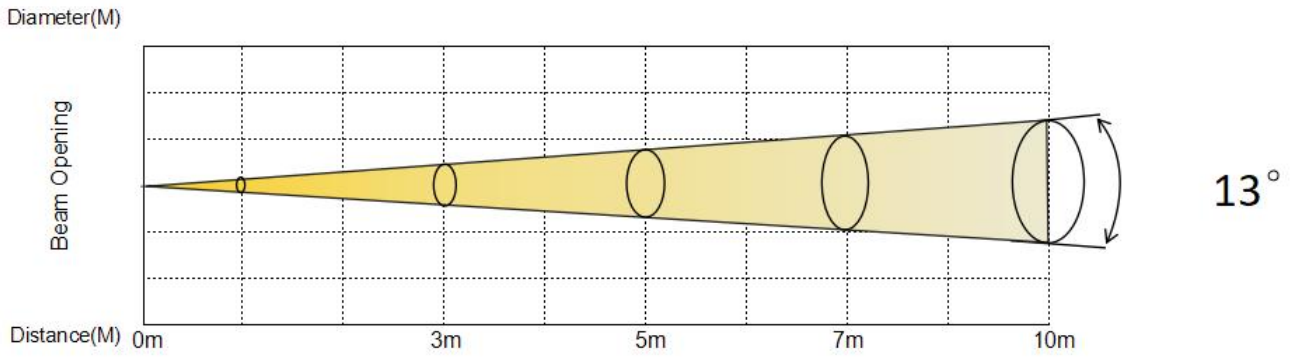
SIZE DRAWING



LUX Data

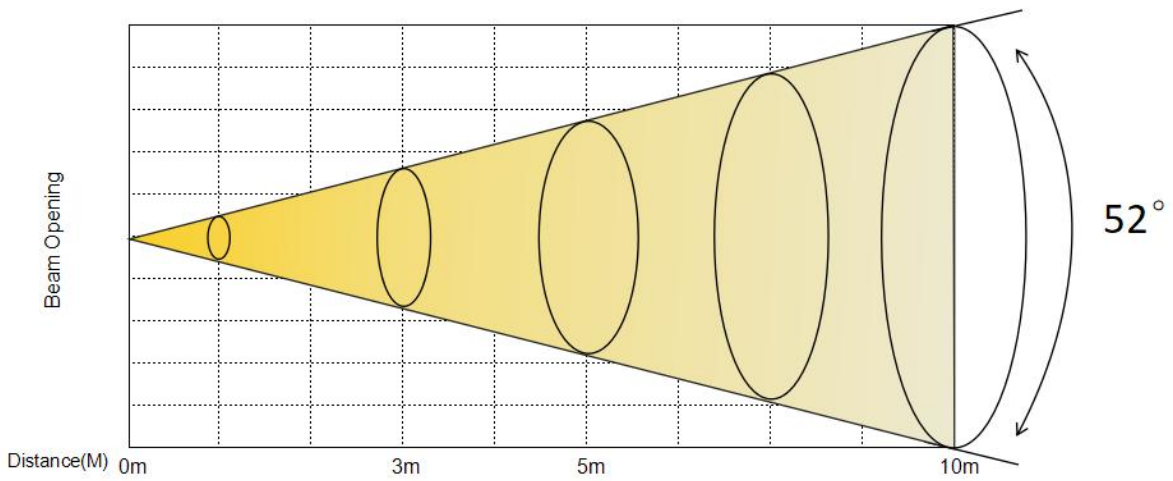
LUX Data of 13 degree beam angle

R	13000lux@3m	5600lux@5m	2830lux@7m	1700lux@10m
G	32000lux@3m	13500lux@5m	7200lux@7m	3800lux@10m
B	50500lux@3m	23000lux@5m	11000lux@7m	5780lux@10m
W	44300lux@3m	18800lux@5m	9550lux@7m	4950lux@10m
RGBW	93400lux@3m	51000lux@5m	26500lux@7m	12800lux@10m



LUX Data of 52 degree beam angle

R	1200lux@3m	460lux@5m	220lux@7m	131lux@10m
G	3200lux@3m	1300lux@5m	575lux@7m	300lux@10m
B	5500lux@3m	2300lux@5m	1100lux@7m	520lux@10m
W	4700lux@3m	1950lux@5m	860lux@7m	435lux@10m
RGBW	12500lux@3m	4950lux@5m	2400lux@7m	1140lux@10m



Unpacking

Thank you for choosing our fixture. For your own safety, please read this manual before installing the device. This manual covers the important information on installation and applications. Please install and operate the fixture with following instructions. Meanwhile, please keep this manual well for future needs.

This fixture is made of a new type of high temperature strength of engineering plastics with nice outlook. The fixture is designed and manufactured strictly following CE standards, complying with international standard DMX512 protocol. It's available independently controlled and linkable with each other for operation. And it is applicable for large-scale live performances, theater, studio, nightclubs and discos.

4-IN-1 LEDs(RGBW) which features high brightness and stability. Please carefully unpack it when you receive the fixture and check whether it is damaged during the transportation. And please check whether the following items are included inside the box:

Moving Head-----One	Signal Cable----One
Hanging Bracket----Two	Power Cable----One
Safety Cable-----one	User Manual----One

Safety Instructions



CAUTION!

Be careful with your operations. With a dangerous voltage you can suffer a dangerous electric shock when touching wires!

This device has left the factory in perfect condition. In order to maintain this condition and to ensure a safe operation, it is absolutely necessary for the user to follow the safety instructions and warning notes written in this user manual.



Important:

Damages caused by the disregard of this user manual are not subject to warranty. The dealer will not accept liability for any resulting defects or problems.

If the device has been exposed to temperature changes due to environmental changes, do not switch it on immediately. The arising condensation could damage the device. Leave the device switched off until it has reached room temperature.

This device falls under protection-class I. Therefore it is essential that the device be earthed.

The electric connection must carry out by qualified person.

The device shall only be used with rate voltage and frequency.

Make sure that the available voltage is not higher than stated at the end of this manual.

Make sure the power cord is never crimped or damaged by sharp edges. If this would be the case, replacement of the cable must be done by an authorized dealer.

Always disconnect from the mains, when the device is not in use or before cleaning it. Only handle the power cord by the plug. Never pull out the plug by tugging the power cord.

During initial start-up some smoke or smell may arise. This is a normal process and does not necessarily mean that the device is defective, it should decrease gradually.

Please don't project the beam onto combustible substances.

Fixtures cannot be installed on combustible substances, keep more than 50cm distance with wall for smooth air flow, so there should be no shelter for fans and ventilation for heat radiation.

If the external flexible cable or cord of this luminaire is damaged, it shall be exclusively replaced by the manufacturer or his service agent or a similar qualified person in order to avoid a hazard.

Operation Instructions

- The fixture is for beam wash and effect use.
- Don't turn on the fixture if it's been through severe temperature difference like after transportation because it might damage the light due to the environment changes. So make sure to operate the fixture until it is in normal temperature.
- This light should be keep away from strong shaking during any transportation or movement.
- Don't pull up the light by only the head, or it might cause damages to the mechanical parts.
- Don't expose the fixture in overheat, moisture or environment with too much dust when installing it. And don't lay any power cables on the floor. Or it might cause electronic shock to the people.
- Make sure the installation place is in good safety condition before installing the fixture.
- Make sure to put the safety chain and check whether the screws are screwed properly when installing the fixture.
- Make sure the lens are in good condition. It's recommended to replace the units if there are any damages or severe scratch.
- Make sure the fixture is operated by qualified personnel who knows the fixture before using.
- Keep the original packages if any second shipment is needed.
- Don't try to change the fixtures without any instruction by the manufacturer or the appointed repairing agencies.
- It is not in warranty range if there are any malfunctions from not following the user manual to operate or any illegal operation, like shock short circuit, electronic shock, lamp broke, etc.

Mounting and Installation

Cautions: For added protection mount the fixtures in areas outside walking paths, seating areas, or in areas where the fixture might be reached by unauthorized personnel.

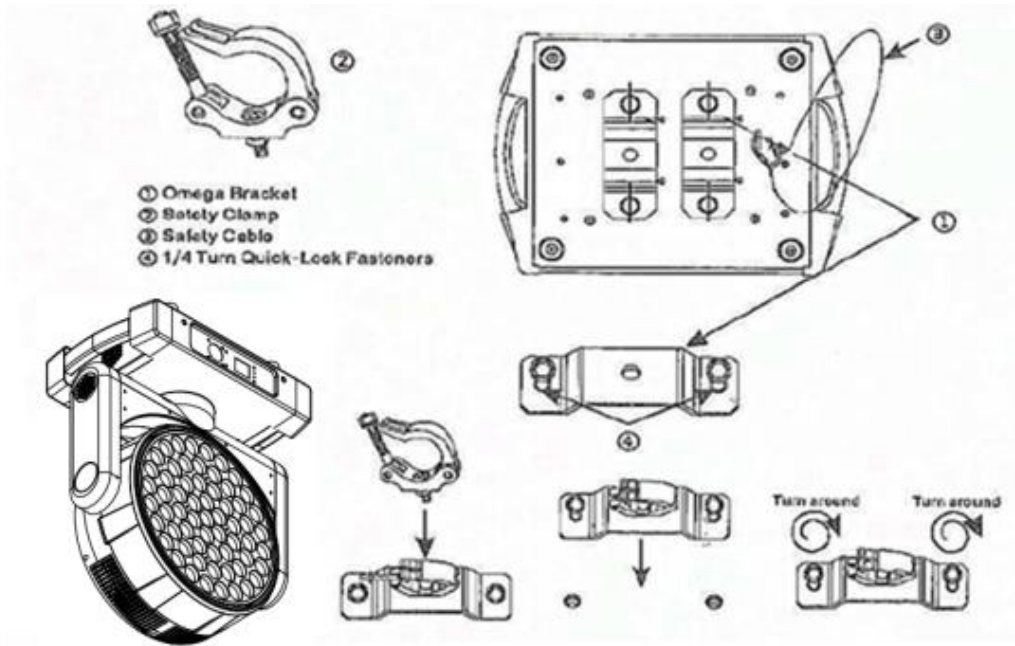
Before mounting the fixture to any surface, make sure that the installation area can hold a minimum point load of 10 times the device's weight.

Fixture installation must always be secured with a secondary safety attachment, such as an appropriate safety cable.

Never stand directly below the device when mounting, removing, or servicing the fixture from a periodic safety inspection of all installation material and the fixture. If you lack these qualifications, do not attempt the installation yourself. Improper installation can result in bodily injury.

Be sure to complete all rigging and installation procedures before connecting the main power cord to the appropriate wall outlet.

Clamp Mounting: The product provides a unique mounting bracket assembly that integrates the bottom of the base, the included "Omega Bracket," and the safety cable rigging point in one unit (see the illustration below). When mounting this fixture to truss be sure to secure an appropriately rated clamp to the included omega bracket using a M10 screw fitted through the center hole of the "omega bracket". As an added safety measure be sure to attached at least one properly rated safety cable to the fixture using one of the safety cable rigging point integrated in the base assembly



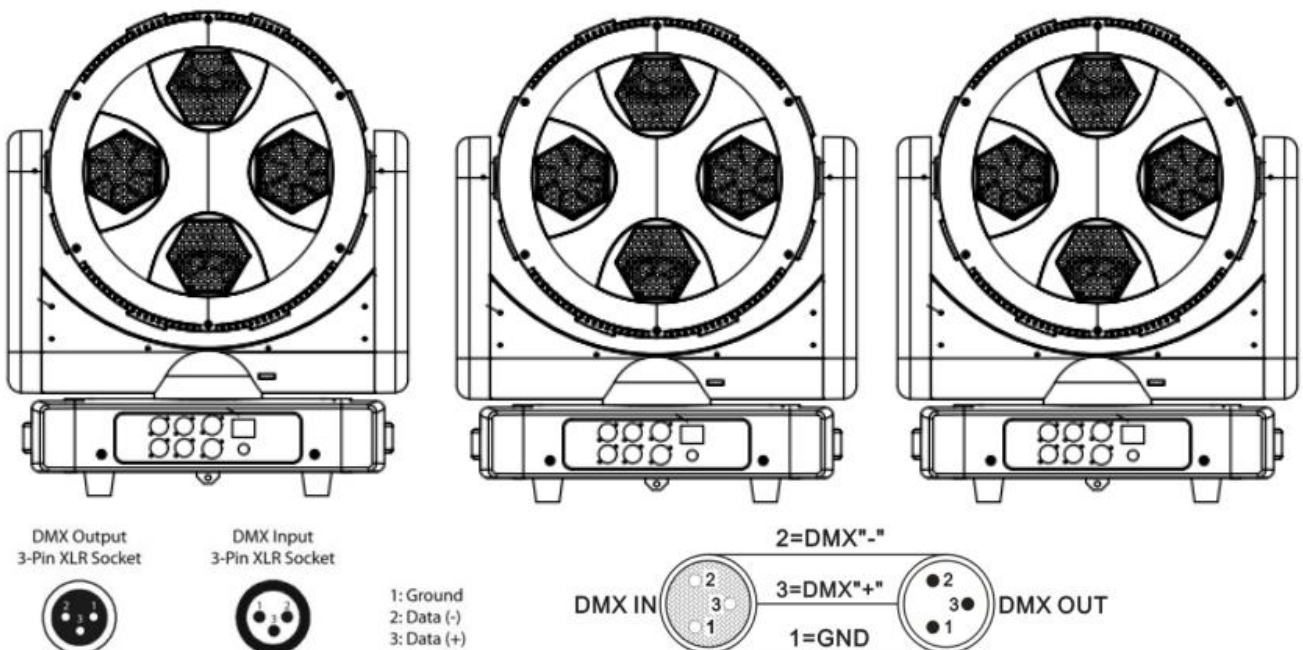
Regardless of the rigging option you choose for our fixture, always be sure to secure your fixture with a safety cable. The fixture provides a built-in rigging point for a safety cable on the hanging bracket as illustrated above. Be sure to only use the designated rigging point for the safety cable and never secure a safety cable to a carrying handle.

DMX-512 control connections

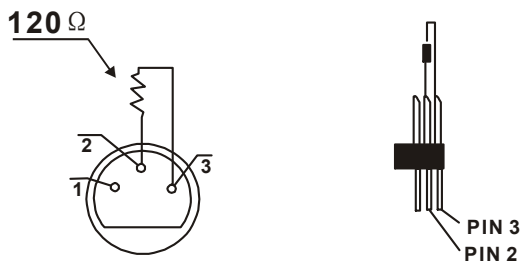
Connect the provided XLR cable to the female 3-pin XLR output of your controller and the other side to the male 3-pin XLR input of the moving head. You can chain multiple

Moving heads be connected together through serial linking. The cable needed should be two core, screened cable with XLR input and output connectors. Please refer to the diagram below.

DMX-512 connection with DMX terminator



For installations where the DMX cable has to run a long distance or is in an electrically noisy environment, such as in a discotheque, it is recommended to use a DMX terminator. This helps in preventing corruption of the digital control signal by electrical noise. The DMX terminator is simply an XLR plug with a 120 Ω resistor connected between pins 2 and 3, which is then plugged into the output XLR socket of the last fixture in the chain. Please see illustrations below.



DMX channels

CH21

CH21	Function	DMX Value	Description
1	Red	0-255	Red linear dimming from dark to bright
2	Red Fine	0-255	Red Fine
3	Green	0-255	Green linear dimming from dark to bright
4	Green Fine	0-255	Green Fine
5	Blue	0-255	Blue linear dimming from dark to bright
6	Blue Fine	0-255	Blue fine
7	White	0-255	White linear dimming from dark to bright
8	White Fine	0-255	White fine
9	Color Temperature	0-255	Linear color temperature adjustment
10	Color Macro	0-255	Built-in color gradient
11	Strobe	0-3	Light off
		4-103	Synchronous strobe speed from slow to fast
		104-107	Light on
		108-207	Symmetric strobe speed from slow to fast
		208-212	Light on
		213-225	Low-speed random strobe
		226-238	Medium-speed random strobe
		239-251	High-speed random strobe
		252-255	Light on
12	Total Dimming	0-255	Linear dimming from dark to bright
13	Total Dimming Fine	0-255	Total dimming fine
14	Pan	0-255	Pan
15	Pan Fine	0-255	Pan Fine
16	Tilt	0-255	Tilt
17	Tilt Fine	0-255	Tilt Fine
18	Macro	0-255	Reserved

19	Reset	0-25	No function
		26-76	Lamp head reset valid for 5s
		77-127	XY reset valid for 5s
		128-255	Full reset valid for 5s
20	Focus	0-255	Focus adjustment
21	Reserved	-	-

CH49

CH49	Function	DMX Value	Description
1	Red	0-255	Red linear dimming from dark to bright
2	Red Fine	0-255	Red Fine
3	Green	0-255	Green linear dimming from dark to bright
4	Green Fine	0-255	Green Fine
5	Blue	0-255	Blue linear dimming from dark to bright
6	Blue Fine	0-255	Blue fine
7	White	0-255	White linear dimming from dark to bright
8	White Fine	0-255	White fine
9	Color Temperature	0-255	Linear color temperature adjustment
10	Color Macro	0-255	Built-in color gradient
11	Strobe	0-3	Light off
		4-103	Synchronous strobe speed from slow to fast
		104-107	Light on
		108-207	Symmetric strobe speed from slow to fast
		208-212	Light on
		213-225	Low-speed random strobe
		226-238	Medium-speed random strobe
		239-251	High-speed random strobe
252-255	Light on		
12	Total Dimming	0-255	Linear dimming from dark to bright
13	Total Dimming Fine	0-255	Total dimming fine
14	Pan	0-255	Pan
15	Pan Fine	0-255	Pan Fine
16	Tilt	0-255	Tilt
17	Tilt Fine	0-255	Tilt Fine
18	Macro	0-255	Reserved
19	Reset	0-25	No function

		26-76	Lamp head reset valid for 5s
		77-127	XY reset valid for 5s
		128-255	Full reset valid for 5s
20	Focus	0-255	Focus adjustment
21	Reserved	-	-
22	Built-in Effects(with effect colors)	0-7	No effect
		8	Static Effect 1
		9	Static Effect 2
		11	No effect
		12	Static Effect 4
		13	Static Effect 5
		14	No effect
		15	Dynamic Effect 1
		16	Dynamic Effect 2
		17	Dynamic Effect 3
		18	Dynamic Effect 4
		19	One Color Random
		20	Full-color Random
		21	Rainbow Effect 1
		22	Rainbow Effect 2
	
		32	Dynamic Effect 14
		33	No effect
		34	No effect
		35	Dynamic Effect 15
	
		40	Dynamic Effect 20
		41	No effect
		42	Dynamic Effect 21
		43	No effect
		44	Dynamic Effect 22
	
		60	Dynamic Effect 38
61	Random Position 1		
62	Random Position 2		
63	Random Position 3		
64	No effect		
65	Random Position 4		
66	Random Position 5		

		67	Dynamic Effect 39
		68	Dynamic Effect 40
		69	No effect
		70	Dynamic Effect 41
		71-255	No effect
23	Effect Speed	0-63	Effect static
		64-158	Forward from fast to slow
		159-160	Stop
		161-255	Reverse from slow to fast
24	Effect Fading	0-255	Dynamic effect fading
25	Effect Red	0-255	Dynamic effect red
26	Effect Green	0-255	Dynamic effect green
27	Effect Blue	0-255	Dynamic effect blue
28	Effect White	0-255	Dynamic effect white
29	Effect Dimming	0-255	Shape 0-100% dimming
30	Background	0-255	Background 0-100% dimming
31	Effect Transition	0-255	Shape change control
32	Effect Supplement	0-255	Shape translation
33	Foreground Strobe	0-255	Foreground strobe (same as Channel 11)
34	Background Strobe	0-255	Background strobe (same as Channel 11)
35	Background Selection	0-255	Background selection
36	Light Strip Dimming	0-255	Led strip linear dimming from dark to bright
37	Light Strip Strobe	0-4	Light on
		5-250	Synchronous strobe from slow to fast
		251-255	Light on
38	Light Strip Red	0-255	Linear dimming of light strip red from dark to bright
39	Light Strip Green	0-255	Linear dimming of light strip green from dark to bright
40	Light Strip Blue	0-255	Linear dimming of light strip blue from dark to bright
41	Light Strip Effect	0-51	No function
		52-255	Light strip effect (4 DMX value per effect)
42	Light Strip Effect Speed	0-255	Light strip effect speed from slow to fast
43	Auxiliary Light	0-255	Linear dimming from dark to bright
44	Auxiliary Light Strobe	0-4	Light on
		5-250	Synchronous strobe from slow to fast
		251-255	Light on
45	Auxiliary Light Red	0-255	Linear dimming of auxiliary light red from dark to
46	Auxiliary Light Green	0-255	Linear dimming of auxiliary light green from dark to

47	Auxiliary Light Blue	0-255	Linear dimming of auxiliary light blue from dark to
48	Auxiliary Light Effect	0-6	No function
		7-255	Auxiliary light effect (7 DMX value per effect)
49	Auxiliary Light Effect Speed	0-255	Auxiliary light effect speed from fast to slow

CH232

CH232	Function	DMX Value	Description
1	Red	0-255	Red linear dimming from dark to bright
2	Red Fine	0-255	Red Fine
3	Green	0-255	Green linear dimming from dark to bright
4	Green Fine	0-255	Green Fine
5	Blue	0-255	Blue linear dimming from dark to bright
6	Blue Fine	0-255	Blue fine
7	White	0-255	White linear dimming from dark to bright
8	White Fine	0-255	White fine
9	Color Temperature	0-255	Linear color temperature adjustment
10	Color Macro	0-255	Built-in color gradient
11	Strobe	0-3	Light off
		4-103	Synchronous strobe speed from slow to fast
		104-107	Light on
		108-207	Symmetric strobe speed from slow to fast
		208-212	Light on
		213-225	Low-speed random strobe
		226-238	Medium-speed random strobe
		239-251	High-speed random strobe
		252-255	Light on
12	Total Dimming	0-255	Linear dimming from dark to bright
13	Total Dimming Fine	0-255	Total dimming fine
14	Pan	0-255	Pan
15	Pan Fine	0-255	Pan Fine
16	Tilt	0-255	Tilt
17	Tilt Fine	0-255	Tilt Fine
18	Macro	0-255	Reserved
19	Reset	0-25	No function
		26-76	Lamp head reset valid for 5s
		77-127	XY reset valid for 5s
		128-255	Full reset valid for 5s
20	Focus	0-255	Focus adjustment
21	Reserved	-	-

22	Built-in Effects(with effect colors)	0-7	No effect
		8	Static Effect 1
		9	Static Effect 2
		11	No effect
		12	Static Effect 4
		13	Static Effect 5
		14	No effect
		15	Dynamic Effect 1
		16	Dynamic Effect 2
		17	Dynamic Effect 3
		18	Dynamic Effect 4
		19	One Color Random
		20	Full-color Random
		21	Rainbow Effect 1
		22	Rainbow Effect 2
	
		32	Dynamic Effect 14
		33	No effect
		34	No effect
		35	Dynamic Effect 15
	
		40	Dynamic Effect 20
		41	No effect
		42	Dynamic Effect 21
		43	No effect
		44	Dynamic Effect 22
	
		60	Dynamic Effect 38
		61	Random Position 1
		62	Random Position 2
		63	Random Position 3
		64	No effect
		65	Random Position 4
		66	Random Position 5
		67	Dynamic Effect 39
		68	Dynamic Effect 40
		69	No effect
		70	Dynamic Effect 41
		71-255	No effect

23	Effect Speed	0-63	Effect static
		64-158	Forward from fast to slow
		159-160	Stop
		161-255	Reverse from slow to fast
24	Effect Fading	0-255	Dynamic effect fading
25	Effect Red	0-255	Dynamic effect red
26	Effect Green	0-255	Dynamic effect green
27	Effect Blue	0-255	Dynamic effect blue
28	Effect White	0-255	Dynamic effect white
29	Effect Dimming	0-255	Shape 0-100% dimming
30	Background	0-255	Background 0-100% dimming
31	Effect Transition	0-255	Shape change control
32	Effect Supplement	0-255	Shape translation
33	Foreground Strobe	0-255	Foreground strobe (same as Channel 11)
34	Background Strobe	0-255	Background strobe (same as Channel 11)
35	Background	0-255	Background selection
36	Light Strip Dimming	0-255	Led strip linear dimming from dark to bright
37	Light Strip Strobe	0-4	Light on
		5-250	Synchronous strobe from slow to fast
		251-255	Light on
38	Light Strip Red	0-255	Linear dimming of light strip red from dark to bright
39	Light Strip Green	0-255	Linear dimming of light strip green from dark to bright
40	Light Strip Blue	0-255	Linear dimming of light strip blue from dark to bright
41	Light Strip Effect	0-51	No function
		52-255	Light strip effect (4 DMX value per effect)
42	Light Strip Effect	0-255	Light strip effect speed from slow to fast
43	Auxiliary Light	0-255	Linear dimming from dark to bright
44	Auxiliary Light Strobe	0-4	Light on
		5-250	Synchronous strobe from slow to fast
		251-255	Light on
45	Auxiliary Light Red	0-255	Linear dimming of auxiliary light red from dark to
46	Auxiliary Light	0-255	Linear dimming of auxiliary light green from dark to
47	Auxiliary Light Blue	0-255	Linear dimming of auxiliary light blue from dark to
48	Auxiliary Light Effect	0-6	No function
		7-255	Auxiliary light effect (7 DMX value per effect)
49	Auxiliary Light	0-255	Auxiliary light effect speed from fast to slow
50	R1 LED Dimming	0-255	Red1 LED dimming

51	G1 LED Dimming	0-255	Green1 LED dimming
52	B1 LED Dimming	0-255	Blue1 LED dimming
53	R2 LED Dimming	0-255	Red1 LED dimming
...	...	0-255
230	R61 LED Dimming	0-255	Red61 LED dimming
231	G61 LED Dimming	0-255	Green61 LED dimming
232	B61 LED Dimming	0-255	Blue61 LED dimming

CH265

CH265	Function	DMX Value	Description
1	Red	0-255	Red linear dimming from dark to bright
2	Red Fine	0-255	Red Fine
3	Green	0-255	Green linear dimming from dark to bright
4	Green Fine	0-255	Green Fine
5	Blue	0-255	Blue linear dimming from dark to bright
6	Blue Fine	0-255	Blue fine
7	White	0-255	White linear dimming from dark to bright
8	White Fine	0-255	White fine
9	Color Temperature	0-255	Linear color temperature adjustment
10	Color Macro	0-255	Built-in color gradient
11	Strobe	0-3	Light off
		4-103	Synchronous strobe speed from slow to fast
		104-107	Light on
		108-207	Symmetric strobe speed from slow to fast
		208-212	Light on
		213-225	Low-speed random strobe
		226-238	Medium-speed random strobe
		239-251	High-speed random strobe
		252-255	Light on
12	Total Dimming	0-255	Linear dimming from dark to bright
13	Total Dimming Fine	0-255	Total dimming fine
14	Pan	0-255	Pan
15	Pan Fine	0-255	Pan Fine
16	Tilt	0-255	Tilt
17	Tilt Fine	0-255	Tilt Fine
18	Macro	0-255	Reserved

19	Reset	0-25	No function
		26-76	Lamp head reset valid for 5s
		77-127	XY reset valid for 5s
		128-255	Full reset valid for 5s
20	Focus	0-255	Focus adjustment
21	Reserved	-	-
22	R1 LED Dimming	0-255	Red1 LED dimming
23	G1 LED Dimming	0-255	Green1 LED dimming
24	B1 LED Dimming	0-255	Blue1 LED dimming
25	W1 LED Dimming	0-255	White1 LED dimming
26	R2 LED Dimming	0-255	Red1 LED dimming
	...	0-255	...
262	R61 LED Dimming	0-255	Red61 LED dimming
263	G61 LED Dimming	0-255	Green61 LED dimming
264	B61 LED Dimming	0-255	Blue61 LED dimming
265	W61 LED Dimming	0-255	White61 LED dimming

Display Instruction

Main Menu	Sub Menu	Third	Details
Return			
EN/Chinese			
Invert			
Setup	Return		
	Setup	Return	
		Run Mode	Artnet/ DMX/ Artnet+DMX/Auto1/ Auto2/ Sound
		Channel Mode	21CH/49CH/204CH/232CH/265CH
		Pan Def Pos	
		Tilt Def Pos	ON/OFF
		Invert Pan	ON/OFF
		Invert Tilt	ON/OFF
		Swap Pan/Tilt	ON/OFF
		P/T Speed Mode	ON/OFF
		Keep Signal	ON/OFF
		Encoder Correct	ON/OFF
		Hall Correct	ON/OFF
		Fast Dimming	ON/OFF
		Silent Mode	ON/OFF
		Backlighting time	15S/30S/60S/OFF
		Dimmer Curve	Curve1/Curve2/Curve3/Curve4
		Load default	OK/Cancel
Adjust	Password		

	Manual Test		000 - 255
	Advance	1.Network	
		2.Universe	
		3.Reset Head	
		4.Reset XY	
		5.Reset All	
	Information	Return	
		Error message	
		DMX data	
		Sensor information	
		Software Ver	01-11-02-00
Hardware Ver		10-11-01-00	

Maintenance and Cleaning

The following points have to be considered during the inspection:

1. All screws for installing the devices or parts of the device have to be tightly connected and must not be corroded. 2. There must not be any deformations on the housing, color lenses, fixations and installation spots (ceiling, suspension, trussing). 3. Mechanically moved parts must not show any traces of wearing and must not rotate with unbalances. 4. The electric power supply cables must not show any damage, material fatigue or sediments.

Further instructions depending on the installation spot and usage have to be adhered by a skilled installer and any safety problems have to be removed.



CAUTION!

Disconnect from mains before starting maintenance operation.

In order to make the lights in good condition and extend the life time, we suggest a regular cleaning to the lights.

- 1) Clean the inside and outside lens each week to avoid the weakness of the lights due to accumulation of dust.
- 2) Clean the fan each week.
- 3) A detailed electric check by approved electrical engineer each three month, make sure that the circuit contacts are in good condition, prevent the poor contact of circuit from overheating.

We recommend a frequent cleaning of the device. Please use a moist, lint- free cloth. Never use alcohol or solvents. There are no serviceable parts inside the device. Please refer to the instructions under "Installation instructions". Should you need any spare parts, please order genuine parts from your local dealer

REMARK

The product has perfect performance and intergrity packing.

All users should be strictly comply with the warning and operating instructions as stated.

Or we aren 't in charge of any result by misusing.

Any damage resulting by misuse is not within the Company 's warranty.

Any fault or problem caused by neglecting the manual is also not in the charge of dealers.

Errors and omissions for every information given in this manual excepted.

All information is subject to change without prior notice.