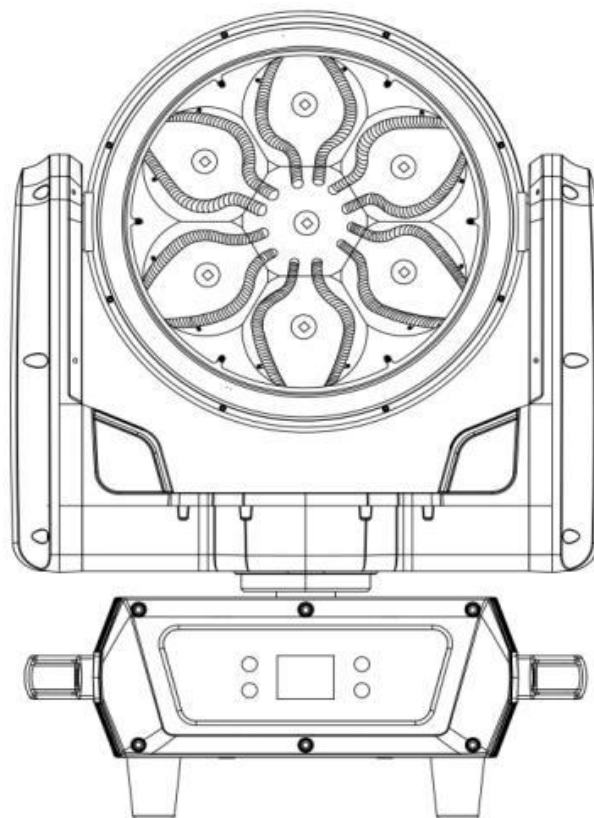


Aura B-EYE 760 IP

User Manual



Guangzhou Mitek Light Co.,LTD

Email: info@miteklight.com

Website: www.miteklight.com

Add: No. 21 Dongfeng Avenue, Automobile Industry Base, Huadu District, Guangzhou

TECHNICAL PARAMETERS

Light source

Voltage: AC90-240v , 50-60HZ

Rated power: 550W

Light source: 7x 60W(4in1 RGBW) high brightness LEDs

Filament Aura: 12x 3W (3in1 RGB) LED filament

Optical

Beam angle: 7-45°

Strobe: 1-25HZ with multiple strobe effects

0-100% linear dimming.

Optical effect: High precision integrated structure PMMA lens, high transparency quartz glass light pipe , creating a softer dyeing range. Latest Aura filament pixel effect.

Controls

Channel: Built-in 6 channel modes 21/30/36/57/78/93CH

Control: DMX512,Auto , RDM, Art-Net (Support for additional installation)

Pan: 540°+16bit fine ;

Tilt: 270°+16bit fine

Display: 1.77-inch OLED screen, Chinese and English menu, anti-interference photoelectric signal isolation system, waterproof intelligent touch key (screen activation password 1111)

Effect

Dimming: Four dimming effect (Linear/Square/I Square/Scurve)

Color: RGBW color mixing with very bright and vibrant saturated colors, as well as soft pastels and white tones. Tungsten Emulation Option.Virtual Color Wheel.

Macro effects: Multiple built-in macros with control of foreground color, background color, speed and direction. 3D video mapping of fixture beam pixels and/or Aura filaments.

High-speed pan, tilt and zoom

Construction

Temperature control: Intelligent temperature control, capable of automatically adjusting the speed of the cooling fan and overheating protection

Body material: Latest second-generation structural waterproof design, metal die-casting aluminum shell and fire-resistant and UV resistant engineering plastic

Protection level: IP65, waterproof, dust-proof, oil resistant design, suitable for outdoor any weather condition

Dimensions

Fixture dimension: 38.6*29.1*53.3cm

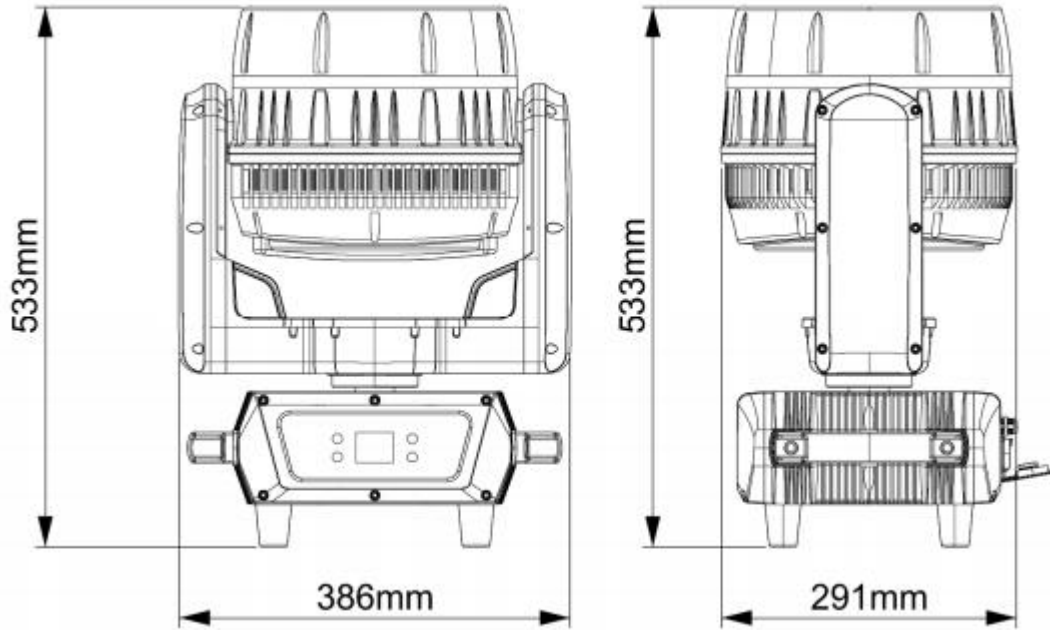
Carton size(1pc/ctn) : 63*47*36cm

NW.: 19.5kg ;GW.: 22.5 kg

Flight case size(2pcs/case): 96*45*78cm

Flight case NW.: 31kg; GW. : 72kg

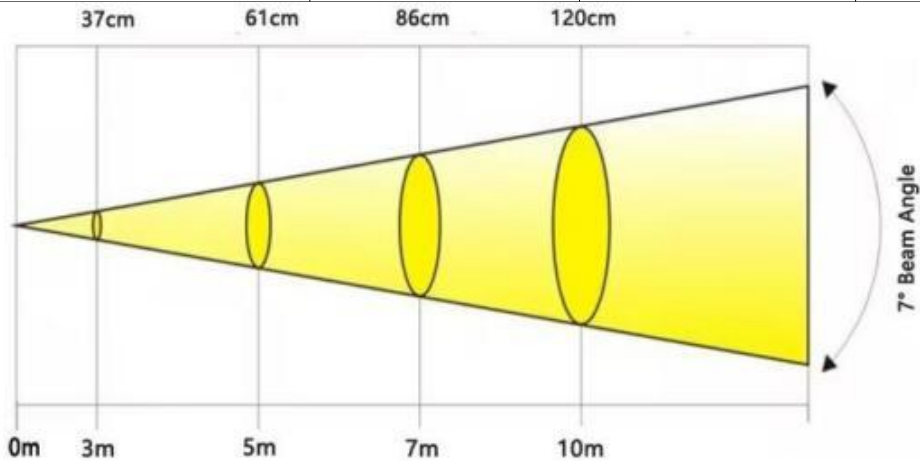
SIZE DRAWING

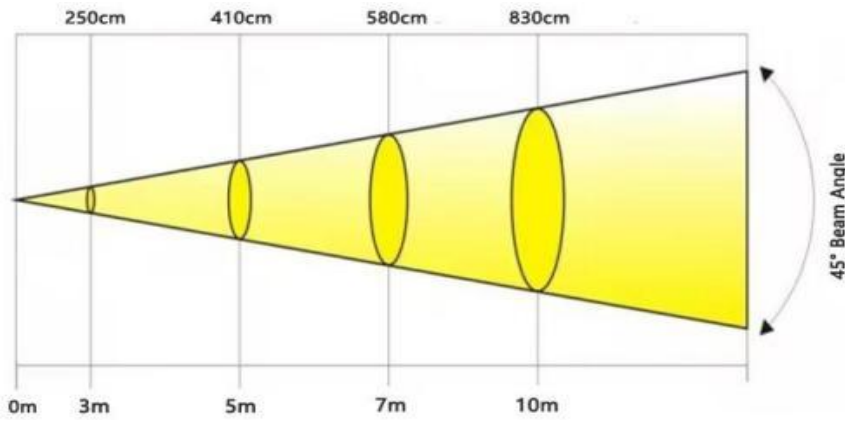


Psychometric Data

LUX Data of 7 degree beam angle:

R	12400 lux@3m	4300lux@5m	2200 lux@7m	1100lux@ 10m
G	32500lux@3m	12000 lux@5m	6500 lux@7m	3200 lux@ 10m
B	55500 lux@3m	21800 lux@5m	12000lux@7m	6000 lux@ 10m
W	55800 lux@3m	22000 lux@5m	11400 lux@7m	5800 lux@ 10m
RGBW	10800lux@3m	54000 lux@5m	29700 lux@7m	14600 lux@ 10m





Unpacking

Thank you for choosing our waterproof 7*60W bee eye moving head light. For proper and safe use, please read the instructions carefully before installing and using this product. This specification contains important installation and application information. Please strictly follow the operation procedures when installing and operating the product. At the same time, please keep this instruction manual properly.

Our waterproof 7*60W bee eye moving head wash beam light uses a new beautiful high temperature resistant engineering plastic housing and high hardness metal body. This product strictly follows the CE standard for design and production, in line with the international standard DMX512 signal protocol, can be used separately for control, can also be used online, with fast rotation, low noise, powerful features, suitable for large and medium-sized concerts, theaters, studios, nightclubs and bars and other places,

This product uses high brightness and stable 7pcs 60W 4in1 LEDs. Please remove the package carefully, check whether the product is damaged during transportation, and check whether the following contents are complete.

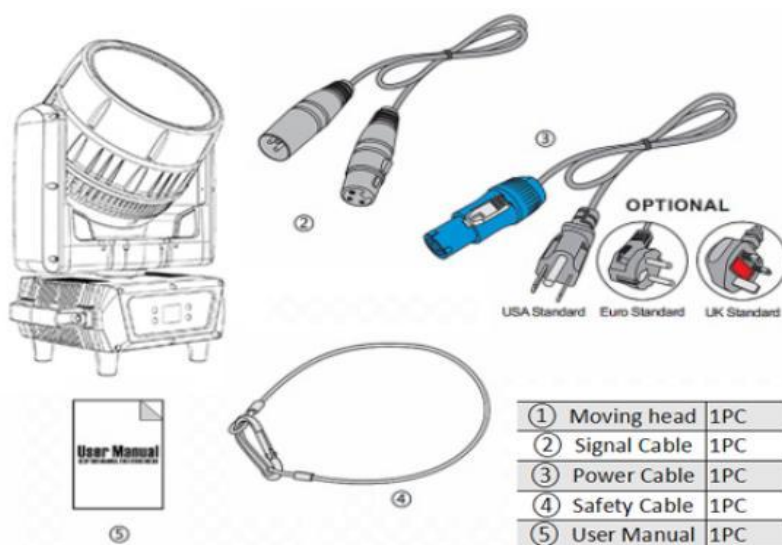
Moving Head-----One

Signal Cable----One

Power Cable-----One

User Manual----One

Safety Cable-----one



①	Moving head	1PC
②	Signal Cable	1PC
③	Power Cable	1PC
④	Safety Cable	1PC
⑤	User Manual	1PC

Safety Instructions



CAUTION!

Be careful with your operations with a dangerous voltage you can suffer a dangerous electric shock when touching wires!

This device has left the factory in perfect condition. In order to maintain this condition and to ensure a safe operation, it is absolutely necessary for the user to follow the safety instructions and warning notes written in this user manual.



Important:

Damages caused by the disregard of this user manual are not subject to warranty. The dealer will not accept liability for any resulting defects or problems.

If the product has been exposed to extreme unstable temperature conditions (e. g., after transportation), do not supply the product immediately because water drops due to temperature changes may damage the product. Please use the product has returned to normal temperature.

This product can be used in the voltage range of 100-240V, and is used for outdoor products. Please ensure that the ground voltage is not higher than the tolerable range of the product!! The power plug must be plugged into a protective class I socket. Green or tea-cyan conductors must be grounded.

Please check the product-level power cord frequently. Ensure that the power cord is not folded or damaged and not connected to other wires! Special attention is required when connecting the power cord or the related wiring. Unplug the power supply without using the product or before cleaning. Before using the product, please be familiar with the operation function of the product. Please do not expose children or no professionals to the product.

Please do not shake this product. Do not use brute force when installing or operating the product. Do not allow unprofessionals to operate the product. Most of the damage is caused by an unprofessional operation.

The product is not equipped with relevant repair accessories. Product maintenance and repair can only be carried out by professionals!

Please do not change this product without authorization, otherwise the product may be damaged, so the damage caused is not covered by the warranty. Also, unprofessional operations can lead to short circuits, burns or electric shocks, and so on.

Operation Instructions (Do not let strong light direct shoot onto the lens !!!)

-The fixture is for beam wash and effect use.

-Don't turn on the fixture if it's been through severe temperature difference like after transportation because it might damage the light due to the environment changes. So make sure to operate the fixture until it is in normal temperature.

-This light should be keep away from strong shaking during any transportation or movement. -Don't pull up the light by only the head, or it might cause damages to the mechanical parts.

-Don't expose the fixture in overheat, moisture or environment with too much dust when installing it.

And

don't lay any power cables on the floor. Or it might cause electronic shock to the people. -Make sure the installation place is in good safety condition before installing the fixture.

-Make sure to put the safety chain and check whether the screws are screwed properly when installing the fixture.

- Make sure the lens are in good condition. It's recommended to replace the units if there are any damages or severe scratch.
- Make sure the fixture is operated by qualified personnel who knows the fixture before using. -Keep the original packages if any second shipment is needed.
- Don't try to change the fixtures without any instruction by the manufacturer or the appointed repairing agencies.
- It is not in warranty range if there are any malfunctions from not following the user manual to operate or any illegal operation, like shock short circuit, electronic shock, lamp broke, etc.

Mounting and Installation

Cautions: For added protection mount the fixtures in areas outside walking paths, seating areas, or in areas where the fixture might be reached by unauthorized personnel.

Before mounting the fixture to any surface, make sure that the installation area can hold a minimum point load of 10 times the device's weight.

Fixture installation must always be secured with a secondary safety attachment, such as an appropriate safety cable.

When hanging, removing or repairing the product, it is forbidden to stand under the installation point. Please ensure that this product should be installed at least 0.5 meters away from the flammable materials. Please remember to use the safety rope as a safety guarantee, in case the accident is dropped quickly.

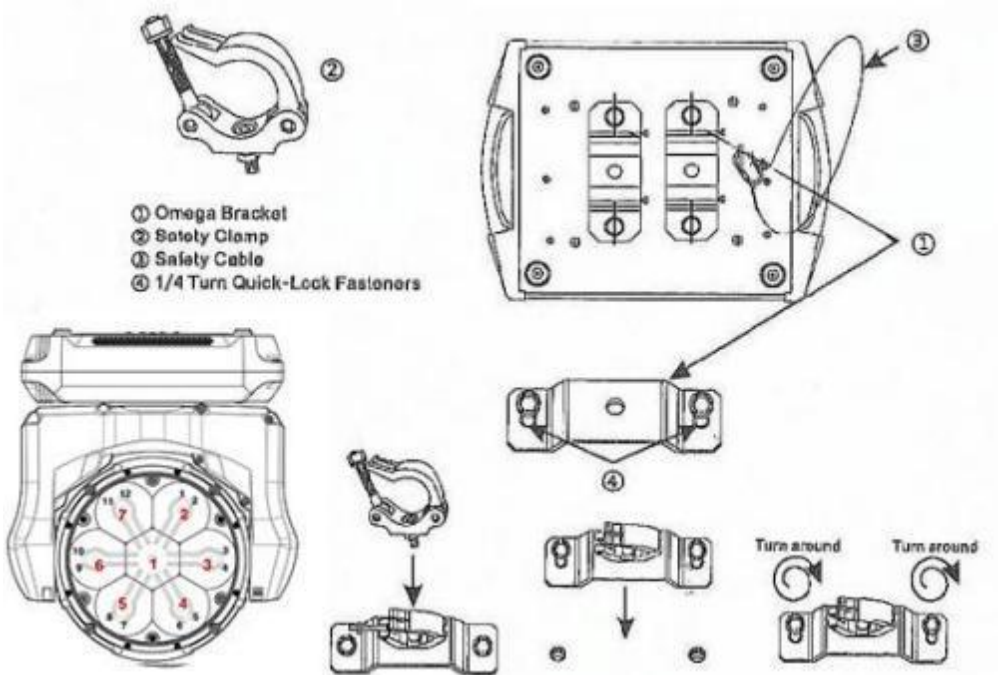
Hanging point: the top hanging requires that the installation personnel must be experienced, including calculating the load-bearing requirements, the installation materials used, and the periodic inspection of the safety status of the installation materials and products. If you lack this knowledge, please do not try to install it yourself. If not incorrectly, it may lead to serious consequences such as personal injury.

Make sure that all the required hanging and installation steps are completed before the product is powered on.

Clamp Mounting:

The product provides a unique mounting bracket assembly that integrates the bottom of the base, the included "Omega Bracket," and the safety rope rigging point in one unit (see the illustration below).

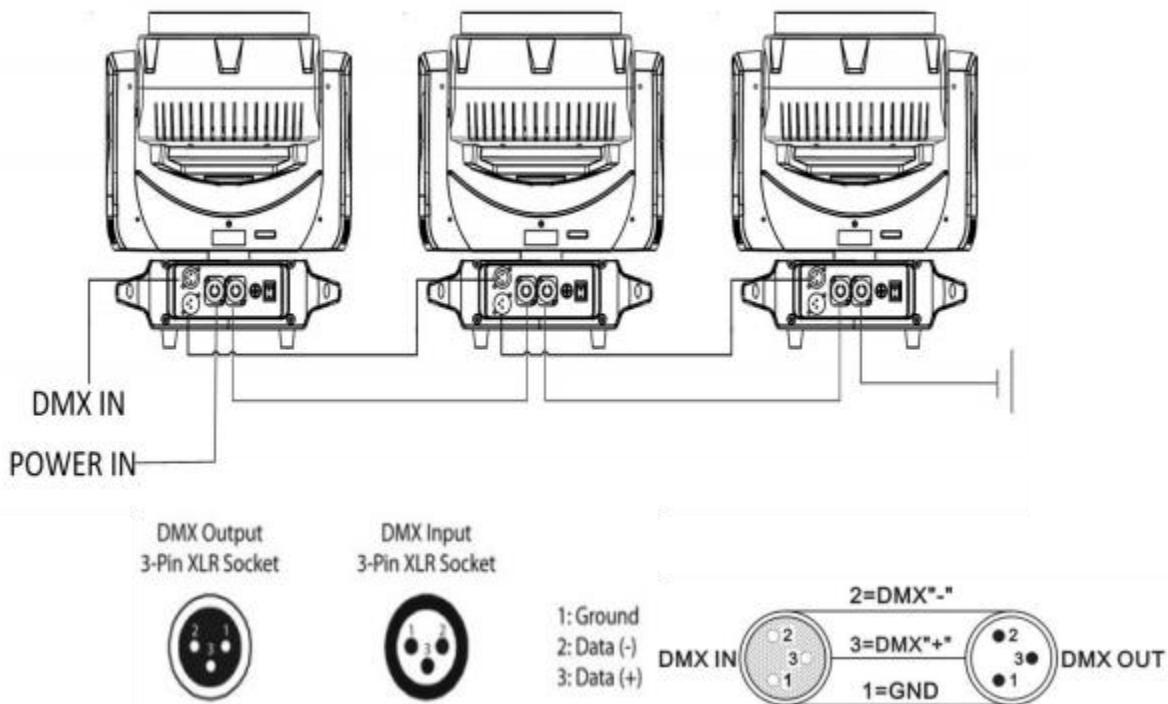
When mounting this fixture to truss be sure to secure an appropriately rated clamp to the included omega bracket using a M10 screw fitted through the center hole of the "omega bracket". As an added safety measure be sure to attached at least one properly rated safety cable to the fixture using on of the safety cable rigging point integrated in the base assembly



Regardless of the rigging option you choose for our fixture, always be sure to secure your fixture with a safety cable. The fixture provides a built-in rigging point for a safety cable on the hanging bracket as illustrated above. Be sure to only use the designated rigging point for the safety cable and never secure a safety cable to a carrying handle.

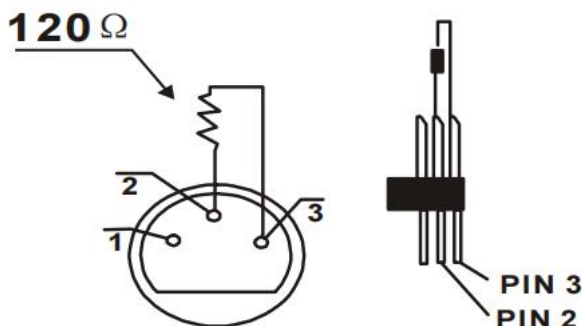
DMX-512 control connections

Connect the provided the male connector of XLR signal cable into the signal output port of the controller and the female connector into the signal input port on the back board of the product. You can connect multiple products in series. The signal line needs to be 3-pin, shielded, and with XLR input and output connectors. Please refer to the diagram below.



DMX-512 connection with terminal (circuit connection)

For installations where the DMX cable has to run a long distance or is in an electrically noisy environment, such as in a discotheque, it is recommended to use a DMX terminator. This helps in preventing corruption of the digital control signal by electrical noise. The DMX terminator is simply an XLR plug with a 120 Ω resistor connected between pins 2 and 3, which is then plugged into the output XLR socket of the last fixture in the chain. Please see illustrations below.



**DMX Channels
21CH**

21CH	DMX Value	Function	Details
1	0-255	0-255 Red linear dimming from dark to bright	Red
2	0-255	Red fine	Red fine
3	0-255	0-255 Green linear dimming from dark to bright	Green
4	0-255	Green fine	Green fine
5	0-255	0-255 Blue linear dimming is from dark to bright	Blue
6	0-255	Blue fine	Blue fine
7	0-255	0-255 White linear dimming from dark to bright	White
8	0-255	White fine	White fine
9	0-255	Color temperature from high to low	CTO
10	0-255	Built-in color macro function	Built-in color
11	0-3	Lighting-off	Strobe
	4-103	Strobe from slow to fast	
	104-107	Light up	
	108-207	Pulse strobe from fast to slow	
	208-212	Light up	
	213-251	Random flash	
	252-255	Light up	
12	0-255	0-255 Linear dimming from dark to bright	Total dimming
13	0-255	Dimming fine	Dimming fine
14	0-255	Pan rotation control	Pan
15	0-255	Pan fine	Pan fine
16	0-255	Tilt rotation control	Tilt

17	0-255	Tilt fine	Tilt fine
18	0-255	Reserve macro function	Reserve macro function
19	0-25	No function	Reset function
	26-76	Effect reset	
	77-127	XY reset	
	128-129	No function	
	130-134	Fan mute mode	
	135-139	Fan standard mode	
	140-144	Fan full speed mode	
	145-191	No function	
	192-255	Full reset	
20	0-255	The angle is linearly regulated from small to large	Focus
21	0-127	0-60 degrees enlarge	Rotation
	128-190	Anti-clockwise infinite turns from fast to slow	
	191-192	Stop	
	193-255	Clockwise infinite turns from slow to fast	

30CH

30CH	DMX Value	Function	Details
1	0-255	Pan rotation control	Pan
2	0-255	Pan tuning control	Pan fine
3	0-255	Tilt rotation control	Tilt
4	0-255	Tilt fine control	Tilt fine
5	0-255	The XY speed from fast to slow	XY speed
6	0-255	Linear adjustment of angle from small to large	Zoom
7	0-127	0-60 degrees enlarge	Lens rotation
	128-190	Anti-clockwise infinite turn from fast to slow	
	191-192	Stop	
	193-255	Clockwise infinite turns from slow to fast	
8	0-255	0-255 Linear dimming from dark to bright	Dimming
9	0-3	Light up	Strobe
	4-200	Strobe from slow to fast	
	201-255	Random strobe from slow to fast	
10	0-255	0-255 Red linear dimming from dark to bright	R Dimming
11	0-255	0-255 Green linear dimming from dark to bright	G Dimming
12	0-255	0-255 Blue linear dimming from dark to bright	B Dimming
13	0-255	0-255 White linear dimming from dark to bright	W Dimming
14	0-9	No function	Colour temperature
	10-255	Color temperature from high to low	
15	0-255	Built-in color macro function	Built-in color
16	0-9	No function	Static effect
	10-255	5 DMX values for one effect	
17	0-4	No function	Dynamic effect

	5-255	5 DMX values for one effect	
18	0-127	Anti-clockwise from fast to slow, operating for 17 CH	Dynamic effect speed
	128-255	Clockwise from slow to fast, operate for 17 CH	
19	0-255	Red backlight dimming [use with dynamic effect]	Backlight colour R
20	0-255	Green backlight dimming [use with dynamic effect]	Backlight colour G
21	0-255	Blue backlight dimming [use with dynamic effect]	Backlight colour B
22	0-255	White backlight dimming [use with dynamic effect]	Backlight colour W
23	0-255	0-255 Linear dimming from dark to bright	Backlight total dimming
24	0-3	No function, light up	Backlight strobe
	4-250	Backlight strobe from slow to fast	
	251-255	No function, light up	
25	0-255	Red backlight dimming	Backlight red
26	0-255	Green backlight dimming	Backlight green
27	0-255	Blue backlight dimming	Backlight blue
28	0-1	No function	Backlight built-in macro function
	2-51	Every 2 DMX value is one kind of color	
	52-255	Every 3 DMX value is one kind of dynamic effect	
29	0-255	Backlight built-in macro speed changes from slow to fast	Backlight built-in macro speed
30	0-25	No function	Reset function
	26-76	Effect reset	
	77-127	XY reset	
	128-129	No function	
	130-134	Fan mute mode	
	135-139	Fan standard mode	
	140-144	Fan full speed mode	
	145-191	No function	
192-255	Full reset		

36CH

36CH	DMX Value	Function	Details
1	0-19	Lighting-off	Strobe
	20-49	Light up	
	50-200	Strobe from slow to fast	
	201-210	Light up	
	211-255	Random strobe	
2	0-255	0-255 Linear dimming is from dark to bright	Total dimming
3	0-255	Dimming fine	Dimming fine
4	0-255	0-255 Red linear dimming from dark to bright	Red
5	0-255	Red fine	Red fine
6	0-255	0-255 Green linear dimming from dark to bright	Green
9	0-255	Green fine	Green fine
8	0-255	0-255 Blue linear dimming from dark to bright	Blue

9	0-255	Blue fine	Blue fine
10	0-255	Color temperature from high to low	Color temperature
11	0-255	Obligate	Obligate
12	0-255	Built-in color macro function	Color macro
13	0-255	Linear adjustment of angle from small to large	Focus
14	0-255	Focus fine	Focus fine
15	0-255	Pan	Pan rotation control
16	0-255	Pan fine	Pan fine control
17	0-255	Tilt	Tilt rotation control
18	0-255	Tilt fine	Tilt fine control
19	0-25	No function	Reset function
	26-76	Effect reset	
	77-127	XY reset	
	128-129	No function	
	130-134	Fan mute mode	
	135-139	Fan standard mode	
	140-144	Fan full speed mode	
	145-191	No function	
192-255	Full reset		
20	0-255	Frequency	Frequency
21	0-255	Obligate	Obligate
22	0-4	No function	LED built-in
	5-255	5 DMX values for one effect	
23	0-127	Anti-clockwise from fast to slow	LED built-in speed
	128-255	Clockwise from slow to fast	
24	0-1	No function	Backlight built-in
	2-51	Every 2 DMX value is one kind of color	
	52-255	Every 3 DMX is one kind of dynamic effect	
25	0-255	Backlight built-in speed from slow to fast	Backlight built-in speed
26	0-255	LED built-in translation	LED built-in translation
27	0-3	No function, light up	Backlight strobe
	4-250	Backlight strobe from slow to fast	
	251-255	No function, light up	
28	0-255	0-255 Linear dimming from dark to bright	Backlight dimming
29	0-255	Backlight dimming fine	Backlight dimming fine
30	0-255	0-255 Backlight red linear dimming from dark to bright	Backlight red
31	0-255	0-255 Backlight green linear dimming from dark to bright	Backlight green
32	0-255	0-255 Backlight blue linear dimming from dark to bright	Backlight blue
33	0-18	No function	Backlight color temperature
	19-255	Backlight color temperature from low to high	
34	0-255	Obligate	Obligate
35	0-255	Backlight built-in color macro function	Backlight color macro
36	0-255	Obligate	Obligate

57CH

57CH	DMX Value	Function	Details
1	0-19	Lighting-off	Strobe
	20-49	Light up	
	50-200	Strobe from slow to fast	
	201-210	Light up	
	211-255	Random flash	
2	0-255	0-255 Linear dimming is from dark to bright	Total dimming
3	0-255	Dimming fine	Dimming fine
4	0-255	0-255 Red linear dimming from dark to bright	Red
5	0-255	Red fine	Red fine
6	0-255	0-255 Green linear dimming from dark to bright	Green
9	0-255	Green fine	Green fine
8	0-255	0-255 Blue linear dimming from dark to bright	Blue
9	0-255	Blue fine	Blue fine
10	0-255	Color temperature from high to low	Colour temperature
11	0-255	Obligate	Obligate
12	0-255	Built-in color macro function	Color macro
13	0-255	Linear adjustment of angle from small to large	Focus
14	0-255	Focus fine	Focus fine
15	0-255	Pan	Pan rotation control
16	0-255	Pan fine	Pan fine control
17	0-255	Tilt	Tilt rotation control
18	0-255	Tilt fine	Tilt fine control
19	0-25	No function	Reset function
	26-76	Effect reset	
	77-127	XY reset	
	128-129	No function	
	130-134	Fan mute mode	
	135-139	Fan standard mode	
	140-144	Fan full speed mode	
	145-191	No function	
192-255	Full reset		
20	0-255	Frequency	Frequency
21	0-255	Obligate	Obligate
22	0-4	No function	LED built-in
	5-255	5 DMX values for one effect	
23	0-127	Anti-clockwise from fast to slow	LED built-in speed
	128-255	Clockwise from slow to fast	
24	0-1	No function	Backlight built-in
	2-51	Every 2 DMX value is one kind of color	
	52-255	Every 3 DMX value is one kind of dynamic effect	
25	0-255	Backlight built-in speed from slow to fast	Backlight built-in speed
26	0-255	LED built-in translation	LED built-in translation
27	0-3	No function, light up	Backlight strobe
	4-250	Backlight strobe from slow to fast	
	251-255	No function, light up	
28	0-255	0-255 Linear dimming from dark to bright	Backlight dimming

29	0-255	Backlight dimming fine	Backlight dimming fine
30	0-255	0-255 Backlight red linear dimming from dark to bright	Backlight red
31	0-255	0-255 Backlight green linear dimming from dark to bright	Backlight green
32	0-255	0-255 Backlight blue linear dimming from dark to bright	Backlight blue
33	0-18		No function
	19-255	Backlight color temperature from low to high	Backlight color temperature
34	0-255	Obligate	Obligate
35	0-255	Backlight built-in color macro function	Backlight color macro
36	0-255	Obligate	Obligate
37	0-255	LED1 red from dark to bright	LED1 red
38	0-255	LED1 green from dark to bright	LED1 green
39	0-255	LED1 blue from dark to bright	LED1 blue
40	0-255	LED2 red from dark to bright	LED2 red
41	0-255	LED2 green from dark to bright	LED2 green
42	0-255	LED2 blue from dark to bright	LED2 blue
...	
55	0-255	LED7 red from dark to bright	LED7 red
56	0-255	LED7 green from dark to bright	LED7 Green
57	0-255	LED7 blue from dark to bright	LED7 blue

78C

78CH	DMX Value	Function	Details
1	0-255	0-255 Red linear dimming from dark to bright	Red
2	0-255	Red fine	Red fine
3	0-255	0-255 Green linear dimming from dark to bright	Green
4	0-255	Green fine	Green fine
5	0-255	0-255 Blue linear dimming is from dark to bright	Blue
6	0-255	Blue fine	Blue fine
7	0-255	0-255 White linear dimming from dark to bright	White
8	0-255	White fine	White fine
9	0-255	Color temperature from high to low	CTO
10	0-255	Built-in color macro function	Built-in color
11	0-3	Lighting-off	Strobe
	4-103	Strobe from slow to fast	
	104-107	Light up	
	108-207	Pulse strobe from fast to slow	
	208-212	Light up	
	213-251	Random strobe	
	252-255	Light up	
12	0-255	0-255 Linear dimming is from dark to bright	Total dimming
13	0-255	Dimming fine	Dimming fine
14	0-255	Pan rotation control	Pan
15	0-255	Pan fine	Pan fine
16	0-255	Tilt rotation control	Tilt
17	0-255	Tilt fine	Tilt fine

18	0-255	Reserve macro function	Reserve macro function
19	0-25	No function	Reset function
	26-76	Effect reset	
	77-127	XY reset	
	128-129	No function	
	130-134	Fan mute mode	
	135-139	Fan standard mode	
	140-144	Fan full speed mode	
	145-191	No function	
	192-255	Full reset	
20	0-255	Linear adjustment of angle from small to large	Focus
21	0-127	0-60 degrees enlarge	Rotation
	128-190	Anti-clockwise from fast to slow	
	191-192	Stop	
	193-255	Clockwise infinite from slow to fast	
22	0-255	LED1 red from dark to bright	LED1 red
23	0-255	LED1 green from dark to bright	LED1 green
24	0-255	LED1 blue is from dark to bright	LED1 blue
25	0-255	LED2 red from dark to bright	LED2 red
26	0-255	LED2 green from dark to bright	LED2 green
27	0-255	LED2 blue from dark to bright	LED2 blue
◦ ◦ ◦	◦ ◦ ◦	◦ ◦ ◦	◦ ◦ ◦
40	0-255	LED7 red is from dark to bright	LED7 red
41	0-255	LED7 green from dark to bright	LED7 green
42	0-255	LED7 blue is from dark to bright	LED7 blue
43	0-255	Backlight 1 Red from dark to bright	Backlight 1 red
44	0-255	Backlight1 Green from dark to light	Backlight 1 green
45	0-255	Backlight 1 Blue from dark to bright	Backlight 1 blue
46	0-255	Backlight 2 red from dark to bright	Backlight 2 red
47	0-255	Backlight 2 green from dark to bright	Backlight 2 green
48	0-255	Backlight 2 blue from dark to bright	Backlight 2 blue
◦ ◦ ◦	◦ ◦ ◦	◦ ◦ ◦	◦ ◦ ◦
76	0-255	Backlight 12 red from dark to bright	Backlight 12 red
77	0-255	Backlight 12 green from dark to bright	Backlight 12 green
78	0-255	Backlight 12 blue from dark to bright	Backlight 12 blue

93CH

93CH	DMX Value	Function	Details
1	0-19	Lighting-off	Strobe
	20-49	Light up	
	50-200	Strobe from slow to fast	
	201-210	Light up	
	211-255	Random flash	
2	0-255	0-255 Linear dimming from dark to bright	Total dimming
3	0-255	Dimming fine	Dimming fine
4	0-255	0-255 Red linear dimming from dark to bright	Red
5	0-255	Red fine	Red fine
6	0-255	0-255 Green linear dimming from dark to bright	Green
7	0-255	Green fine	Green fine

8	0-255	0-255 Blue linear dimming from dark to bright	Blue
9	0-255	Blue fine	Blue fine
10	0-255	Color temperature from high to low	Color temperature
11	0-255	Obligate	Obligate
12	0-255	Built-in color macro function	Color macro
13	0-255	Linear adjustment of angle from small to large	Focus
14	0-255	Focus fine	Focus fine
15	0-255	Pan	Pan rotation control
16	0-255	Pan fine	Pan fine control
17	0-255	Tilt	Tilt rotation control
18	0-255	Tilt fine	Tilt fine control
19	0-25	No function	Reset function
	26-76	Effect reset	
	77-127	XY reset	
	128-129	No function	
	130-134	Fan mute mode	
	135-139	Fan standard mode	
	140-144	Fan full speed mode	
	145-191	No function	
192-255	Full reset		
20	0-255	Frequency	Frequency
21	0-255	Obligate	Obligate
22	0-4	No function	LED built-in
	5-255	5 DMX values for one effect	
23	0-127	Anti-clockwise from fast to slow	LED built-in speed
	128-255	Clockwise from slow to fast	
24	0-1	No function	Backlight built-in
	2-51	Every 2 DMX value is one kind of color	
	52-255	Every 3 DMX value is one dynamic effect	
25	0-255	Backlight built-in speed from slow to fast	Backlight built-in speed
26	0-255	LED built-in translation	LED built-in translation
27	0-3	No function, light up	Backlight strobe
	4-250	Backlight strobe from slow to fast	
	251-255	No function, light up	
28	0-255	0-255 Linear dimming from dark to bright	Backlight dimming
29	0-255	Backlight dimming fine	Backlight dimming fine
30	0-255	0-255 Backlight red linear dimming from dark to bright	Backlight red
31	0-255	0-255 Backlight green linear dimming from dark to bright	Backlight green
32	0-255	0-255 Backlight blue linear dimming from dark to bright	Backlight blue
33	0-18	No function	Backlight color temperature
	19-255	Backlight color temperature from low to high	
34	0-255	Obligate	Obligate
35	0-255	Backlight built-in color macro function	Backlight color macro
36	0-255	Obligate	Obligate
37	0-255	LED1 red from dark to bright	LED1 red
38	0-255	LED1 green from dark to bright	LED1 green
39	0-255	LED1 blue is from dark to bright	LED1 blue

40	0-255	LED2 red from dark to bright	LED2 red
41	0-255	LED2 green from dark to bright	LED2 green
42	0-255	LED2 blue from dark to bright	LED2 blue
...		° ° °	° ° °
55	0-255	LED7 red is from dark to bright	LED7 Red
56	0-255	LED7 green from dark to bright	LED7 green
57	0-255	LED7 blue is from dark to bright	LED7 blue
58	0-255	Backlight 1 Red from dark to bright	Backlight 1 red
59	0-255	Backlight1 Green from dark to light	Backlight 1 green
60	0-255	Backlight 1 Blue from dark to bright	Backlight 1 blue
61	0-255	Backlight 2 red from dark to bright	Backlight 2 red
62	0-255	Backlight 2 green from dark to bright	Backlight 2 green
63	0-255	Backlight 2 blue from dark to bright	Backlight 2 blue
...		° ° °	° ° °
91	0-255	Backlight 12 red from dark to bright	Backlight 12 red
92	0-255	Backlight 12 green from dark to bright	Backlight 12 green
93	0-255	Backlight 12 blue from dark to bright	Backlight 12 blue

Display instructio

Menu	Sub-Menu	Secondary sub-menu	Function
Address	001-255		DMX address setting
Runnin g Mode			Mode selection
	DMX	21/30/36/57/78/93	Console Mode
	Auto Test		Auto run test
	Manual Test		Manual test
	Auto		Auto
	Channel Test		Channel Test
Advance d Setting			Parameter settings
	Pan Reverse	YES/NO	Pan Reverse
	Tilt Reverse	YES/NO	Tilt Reverse
	Screen Reverse	YES/NO	Screen Reverse
	Screen Lock	YES/NO	Screen Lock
	No signal Hold	YES/NO	No signal Hold
	Pan Angle	540/360/ 180	Pan Angle
	Tilt Angle	270/ 180/90	Tilt Angle
	Arefaction Time	085	Arefaction Time
	Language	EN/CH	Language switch
	Dimmer Speed	Fast/Smooth	Dimmer Speed
	Dimmer Curve	Linear/Square/l Square/Scurve	Dimmer Curve
	Reset function		All reset
	Factory Reset		Factory mode
		Fixture	

Sys Info		information
	Ver: V1.01	Version No.
	Running Mode: DMX	Running Mode
	Dmx Address: 001	DMX Value
	Temperature: Open	Temperature
	Fixture hours	Fixture hours
	SAVE Num	0x5a

When the temperature resistance is wrong, the screen has the following hints:	When the temperature resistance is wrong, the screen has the following hints:
Open circuit: Thermistor Open	Open circuit: Thermistor Open
Short-circuit: Thermistor Short	Short-circuit: Thermistor Short
Overheat: Thermistor Hot	Overheat: Thermistor Hot

Maintenance and Cleaning

The following points have to be considered during the inspection:

1. All screws for installing the devices or parts of the device have to be tightly connected and must not be corroded.
2. There must not be any deformations on the housing, color lenses, fixations and installation spots (ceiling, suspension, trussing).
3. Mechanically moved parts must not show any traces of wearing and must not rotate with unbalances.
4. The electric power supply cables must not show any damage, material fatigue or sediments. Further instructions depending on the installation spot and usage have to be adhered by a skilled installer and any safety problems have to be removed.



CAUTION!

Disconnect from mains before starting maintenance operation.

In order to make the lights in good condition and extend the life time, we suggest a regular cleaning to the lights.

- 1) Clean the inside and outside lens each week to avoid the weakness of the lights due to accumulation of dust.
- 2) Clean the fan each week.
- 3) A detailed electric check by approved electrical engineer each three month, make sure that the circuit contacts are in good condition, prevent the poor contact of circuit from overheating.

We recommend a frequent cleaning of the device. Please use a moist, lint-free cloth. Never use alcohol or solvents. There are no serviceable parts inside the device. Please refer to the instructions under "Installation instructions". Should you need any spare parts, please order genuine parts from your local dealer.

REMARK

The product has perfect performance and integrity packing. All users should be strictly comply with the warning and operating instructions as stated.

Or we aren't in charge of any result by misusing.

Any damage resulting by misuse is not within the Company's warranty.

Any fault or problem caused by neglecting the manual is also not in the charge of dealers.

Errors and omissions for every information given in this manual excepted.

All information is subject to change without prior notice.